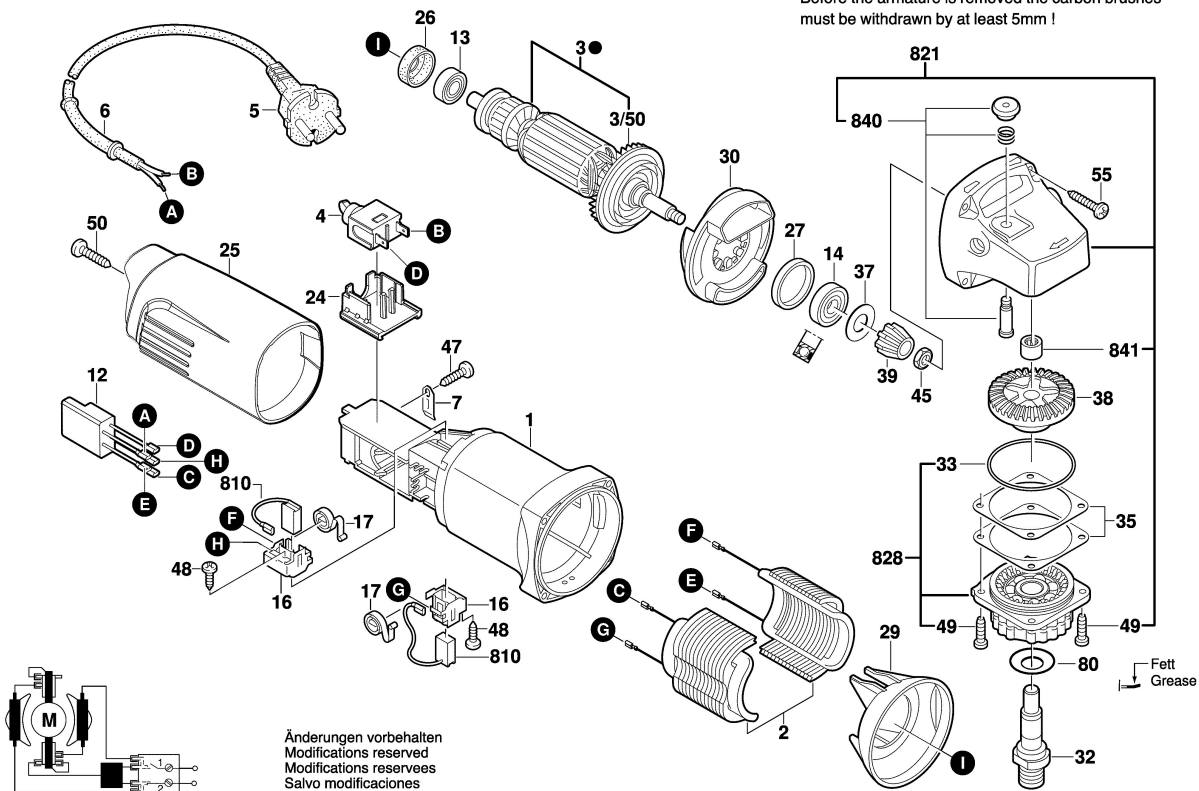


0 601 375 0AB  
 Stand } 13-12-16  
 Issue }

Fig./Abb. 1

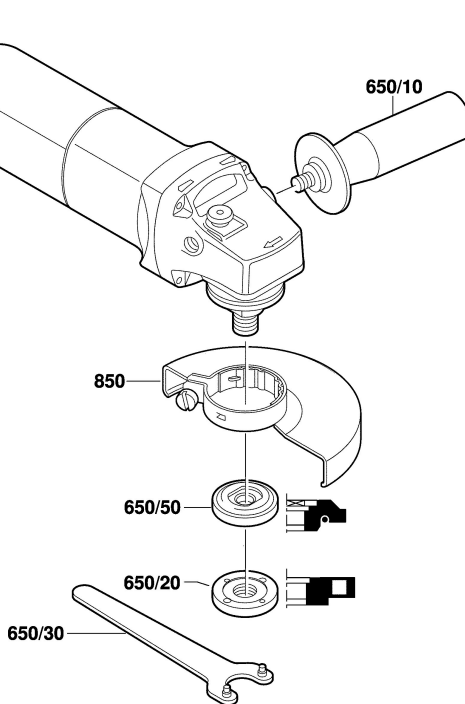
### Gerad - Verzahnung

● Vor Demontage des Ankers  
 Kohlebürsten 5mm zurückziehen !  
 Before the armature is removed the carbon brushes  
 must be withdrawn by at least 5mm !



0 601 375 0AB  
 Stand } 13-12-16  
 Issue }

Fig./Abb. 2



Änderungen vorbehalten  
 Modifications reserved  
 Modifications reserves  
 Salvo modificaciones