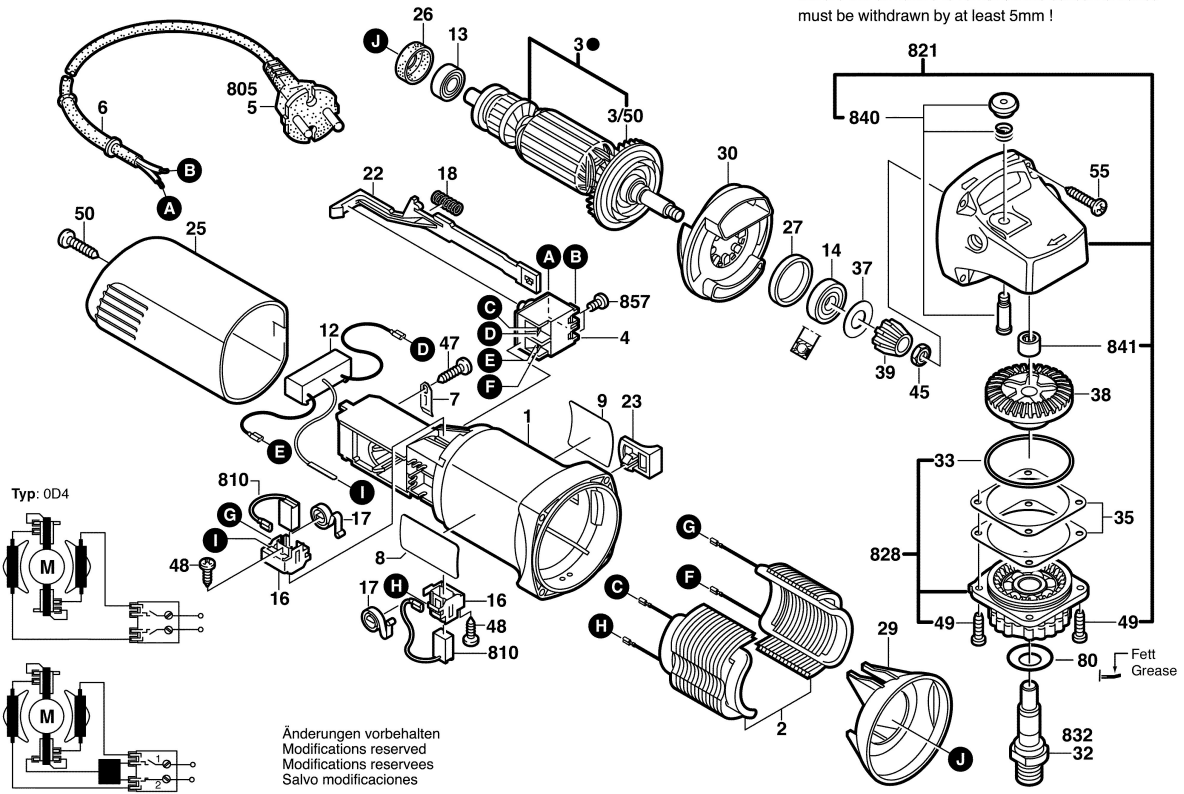


0 601 375 1G1
 Stand 09-08-13
 Issue J

Fig./Abb. 1

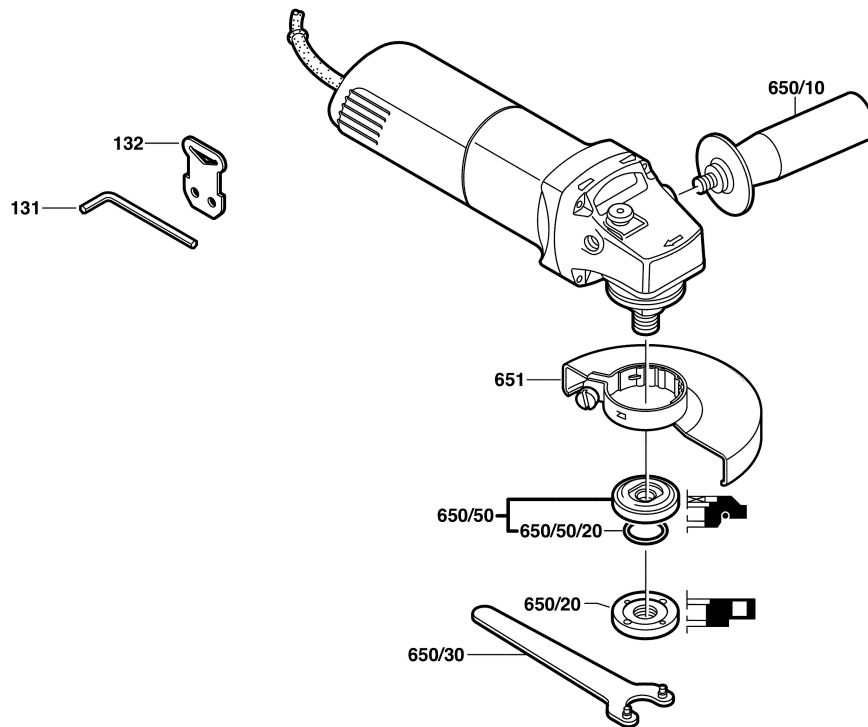
Gerad - Verzahnung

● Vor Demontage des Ankers
 Kohlebürsten 5mm zurückziehen !
 Before the armature is removed the carbon brushes
 must be withdrawn by at least 5mm !



0 601 375 1G1
 Stand 09-08-13
 Issue J

Fig./Abb. 2



Änderungen vorbehalten
 Modifications reserved
 Modifications reserves
 Salvo modificaciones