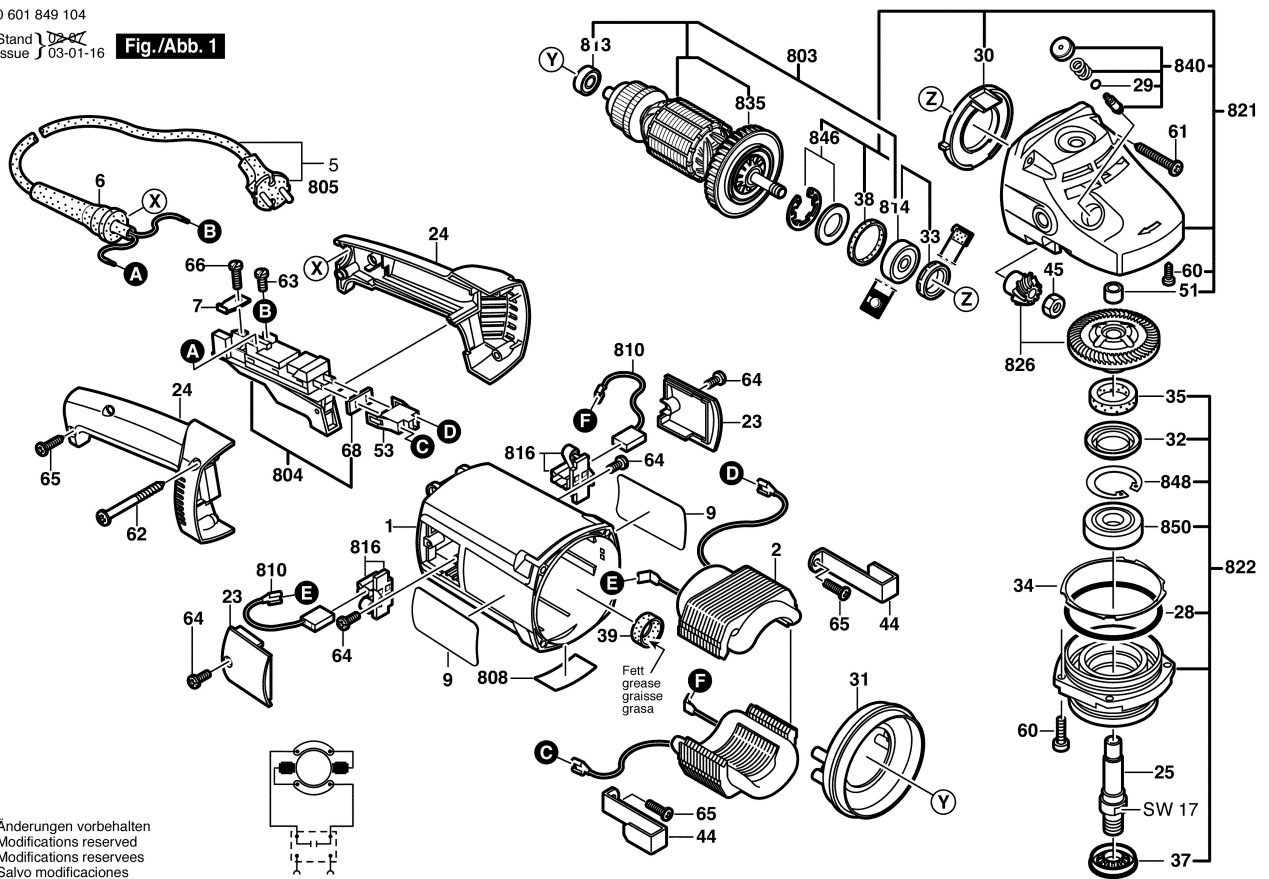


0 601 849 104
 Stand 1 03-01-16
 Issue J 03-01-16

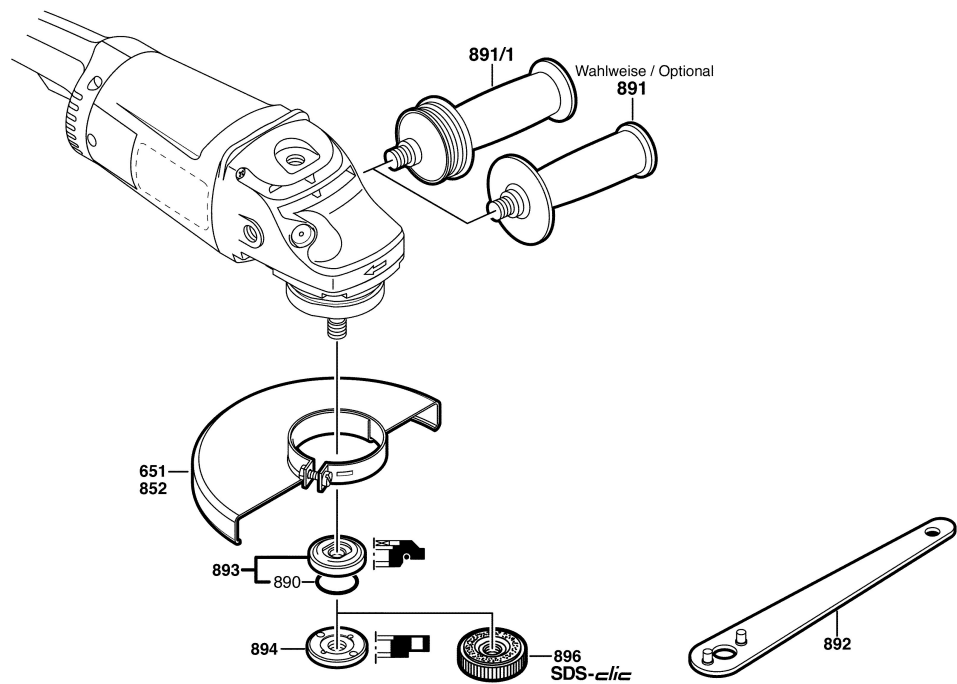
Fig./Abb. 1



Änderungen vorbehalten
 Modifications reserved
 Modifications reserves
 Salvo modificaciones

0 601 849 104 / 105 / 106 / 140
 Stand 1 02-06-19
 Issue J 02-06-19

Fig./Abb. 2



Änderungen vorbehalten
 Modifications reserved
 Modifications reserves
 Salvo modificaciones