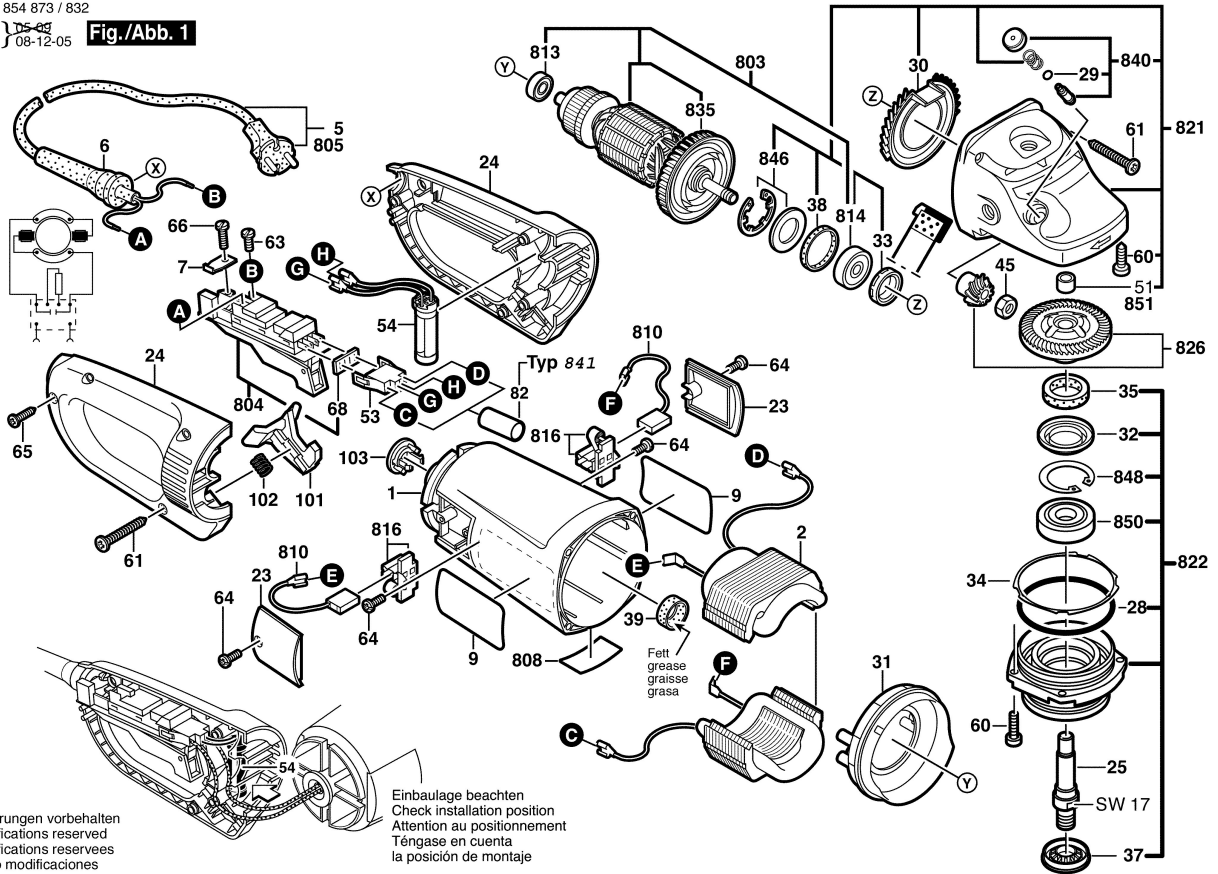


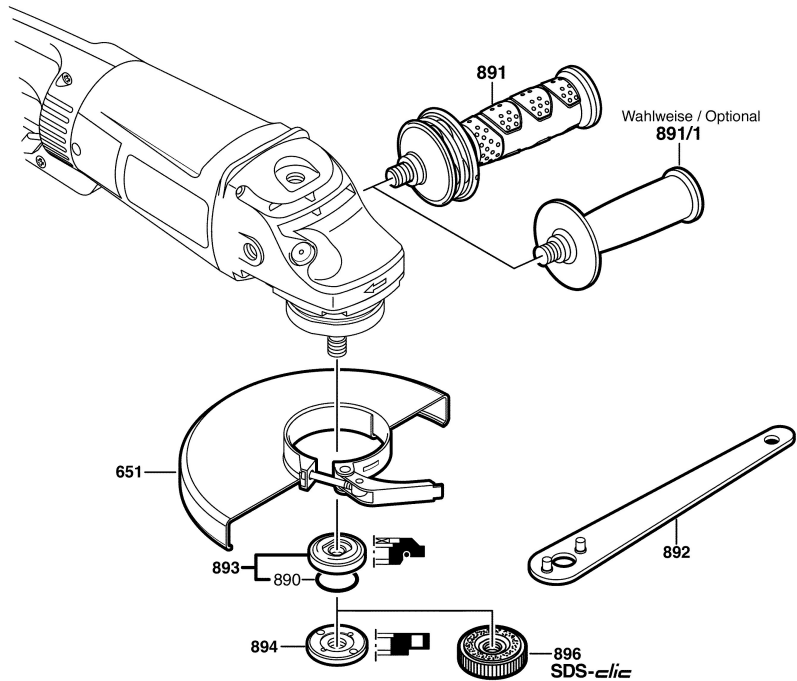
0 601 854 873 / 832
 Stand 1 02-02
 Issue J 08-12-05

Fig./Abb. 1



0 601 854 873 / 832
 Stand 1 02-02
 Issue J 08-01-17

Fig./Abb. 2



Änderungen vorbehalten
 Modifications reserved
 Modifications reserves
 Salvo modificaciones