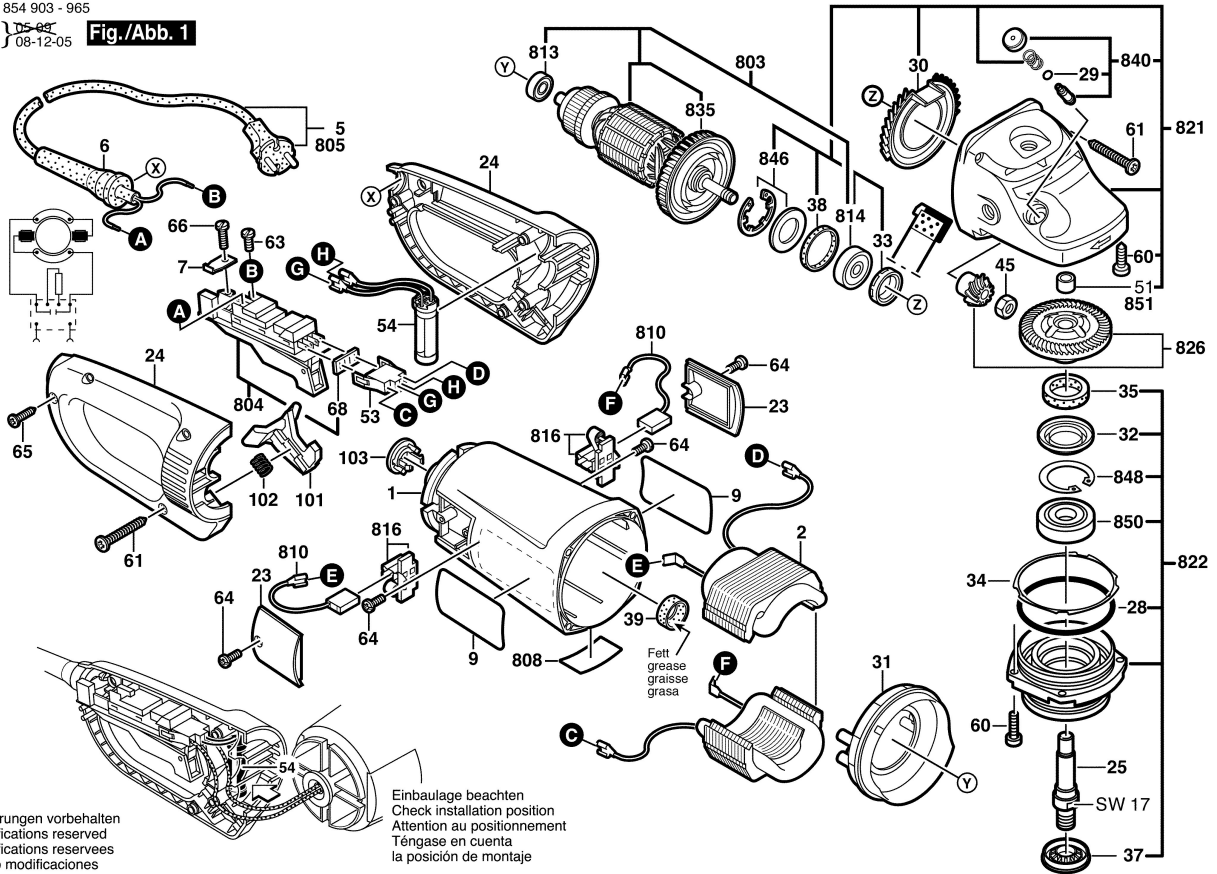


0 601 854 903 - 965
 Stand ~~10-04~~
 Issue J 08-12-05

Fig./Abb. 1



0 601 854 903 - 965
 Stand ~~10-04~~
 Issue J 08-01-17

Fig./Abb. 2

