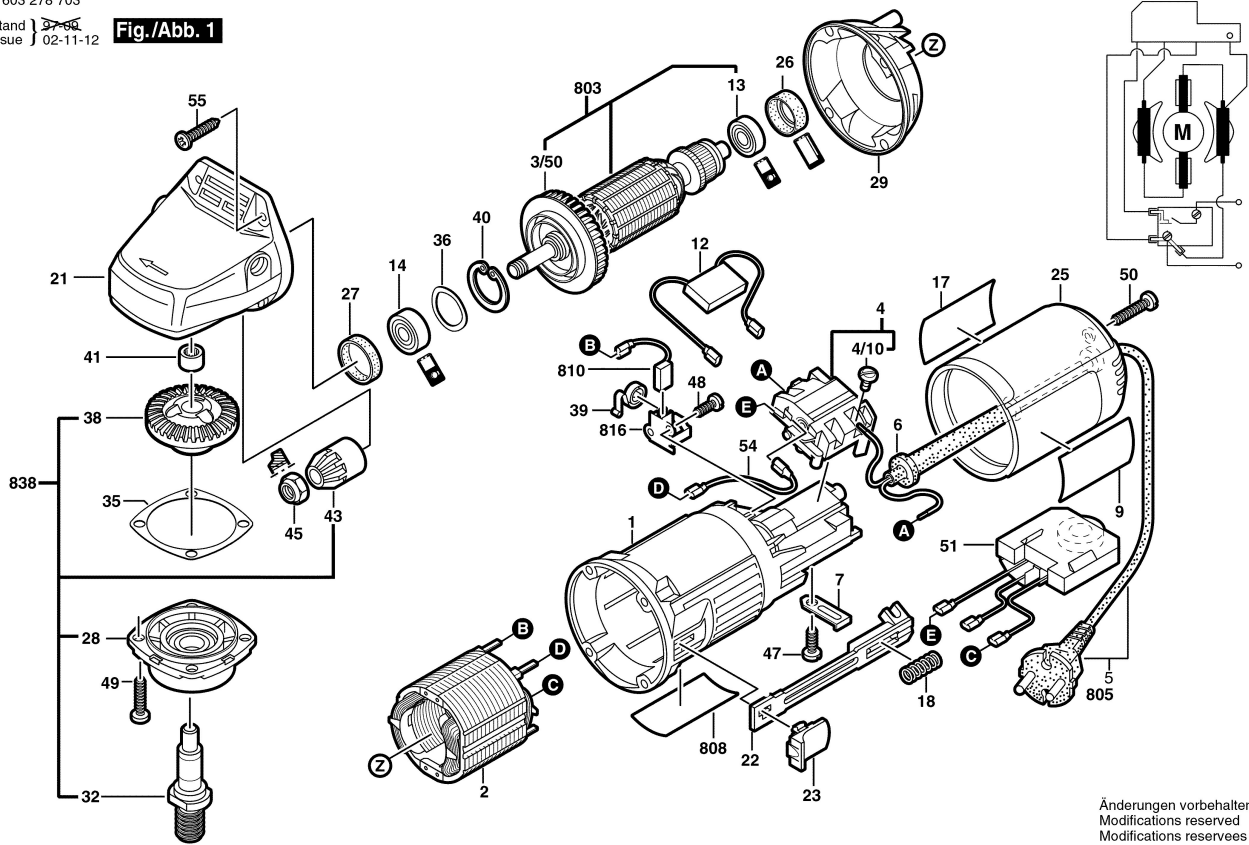


0 603 278 703

Stand | ~~37-04~~
Issue | 02-11-12

Fig./Abb. 1

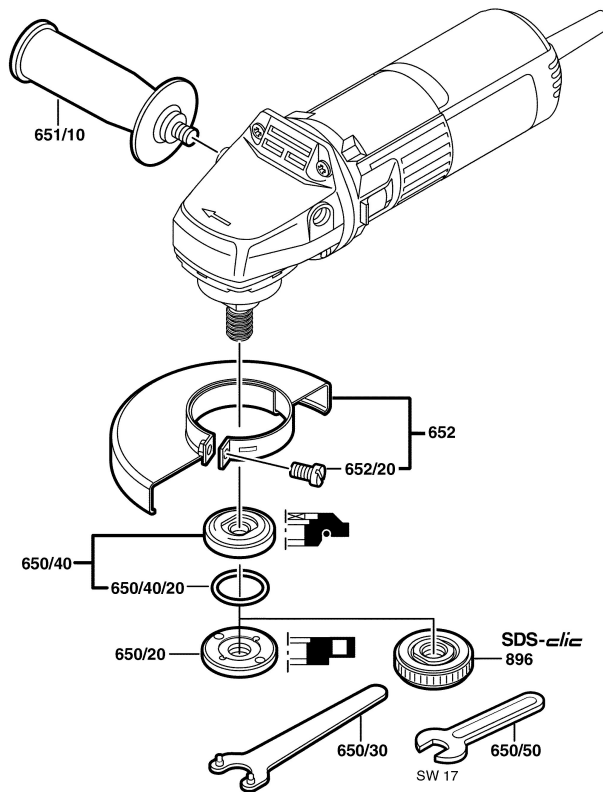


Änderungen vorbehalten
Modifications reserved
Modifications reserves
Salvo modificaciones

0 603 278 703

Stand | ~~37-04~~
Issue | 02-11-12

Fig./Abb. 2



Änderungen vorbehalten
Modifications reserved
Modifications reserves
Salvo modificaciones