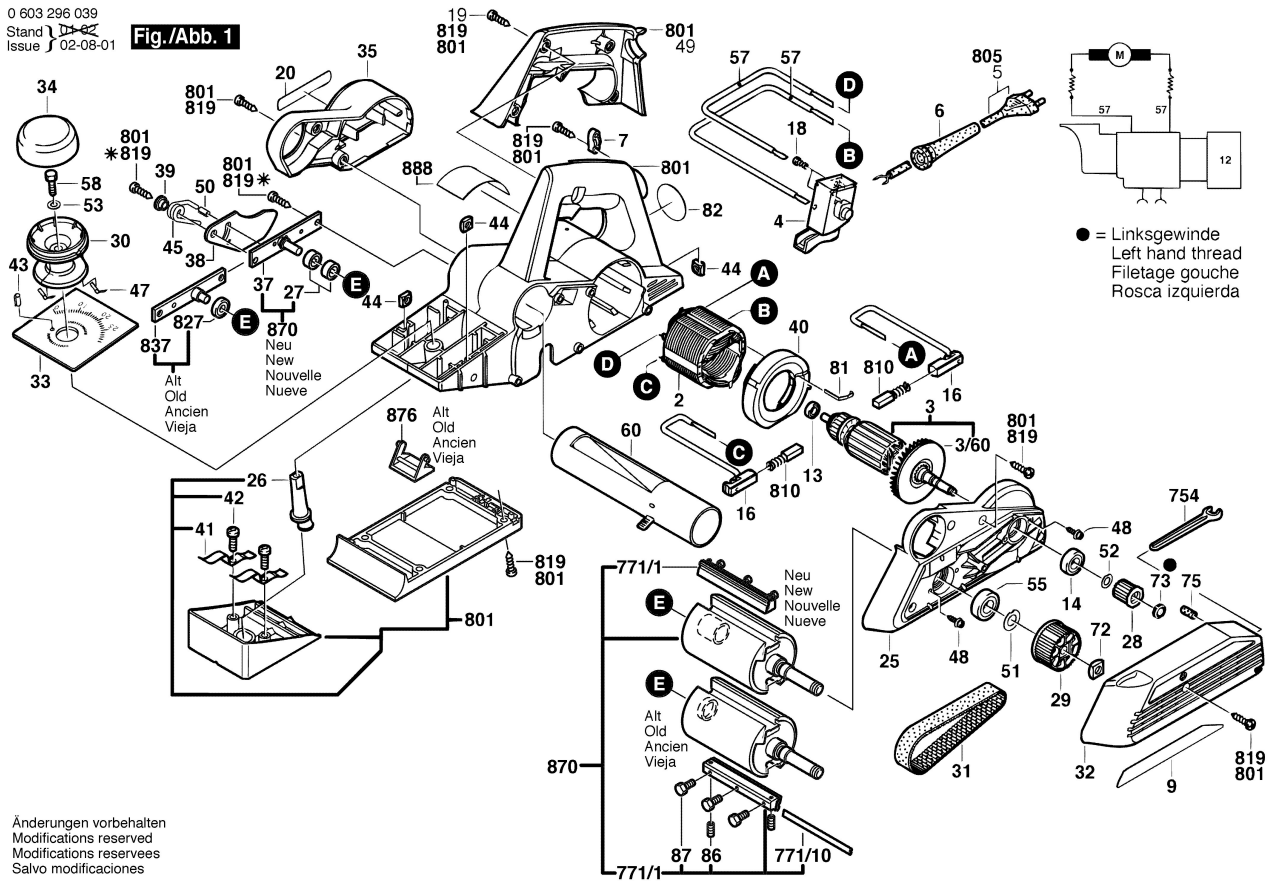


0 603 296 039
 Stand 11-02
 Issue 02-08-01

Fig./Abb. 1



0 603 296 039
 Stand 08-04
 Issue 08-06-04

Fig./Abb. 2

