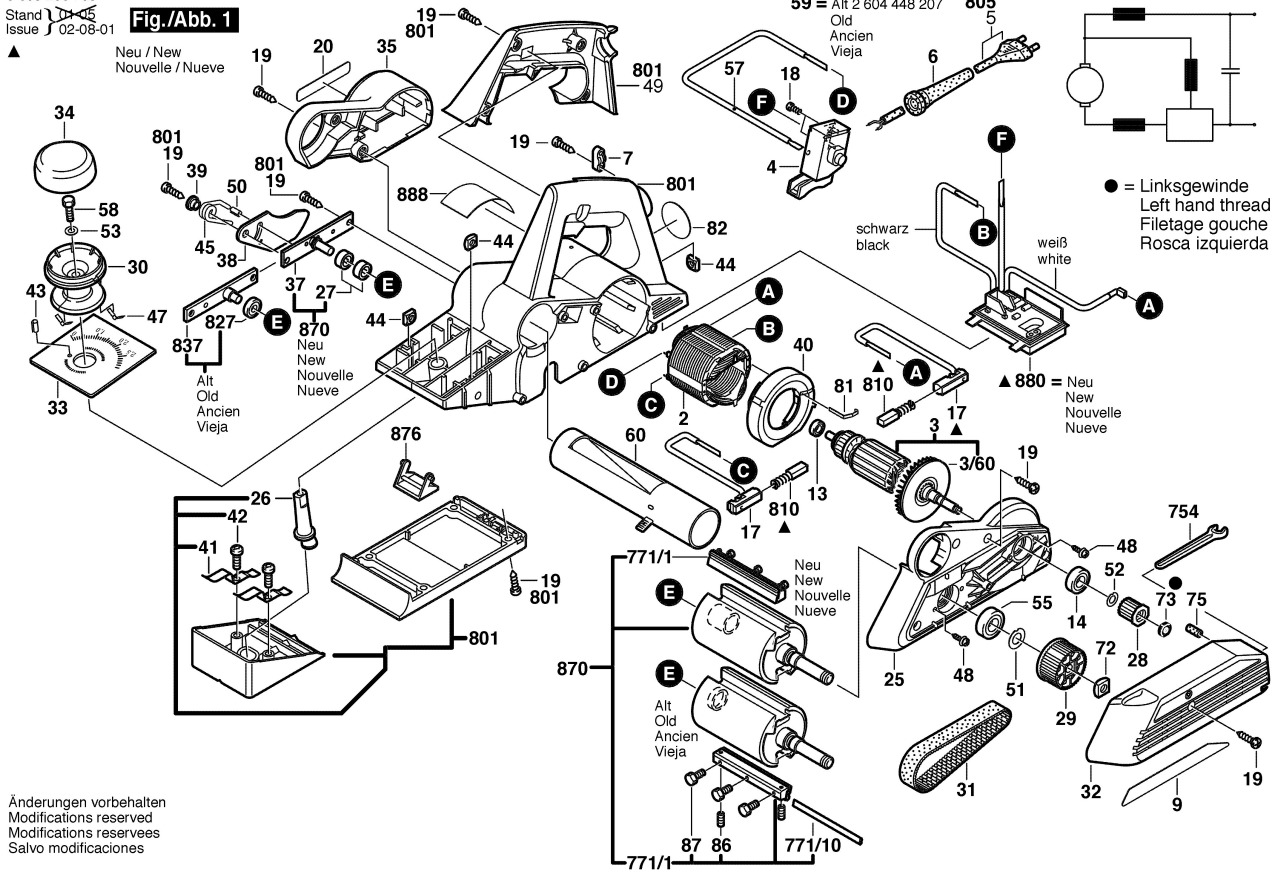


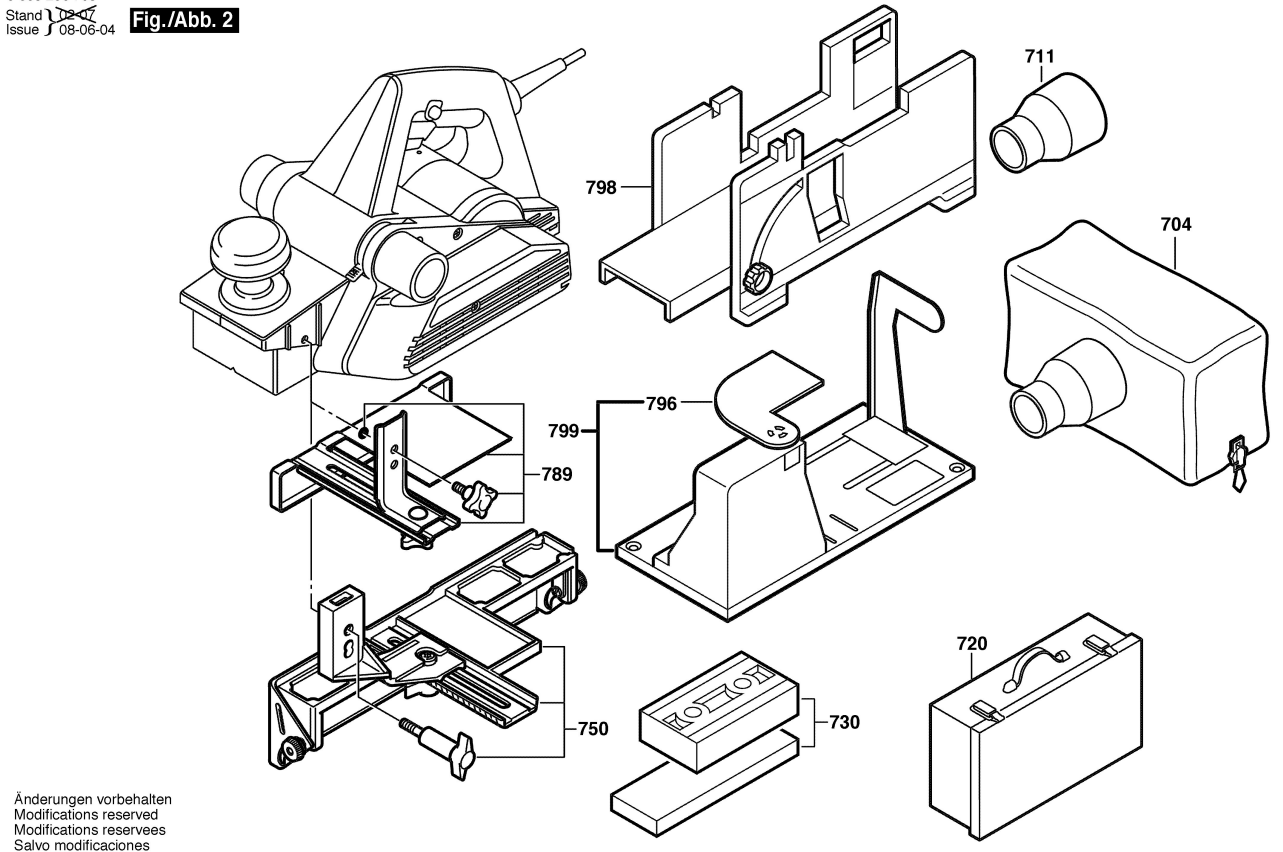
0 603 296 703
 Stand 10-05
 Issue 02-08-01

Fig./Abb. 1



0 603 296 703
 Stand 10-07
 Issue 08-06-04

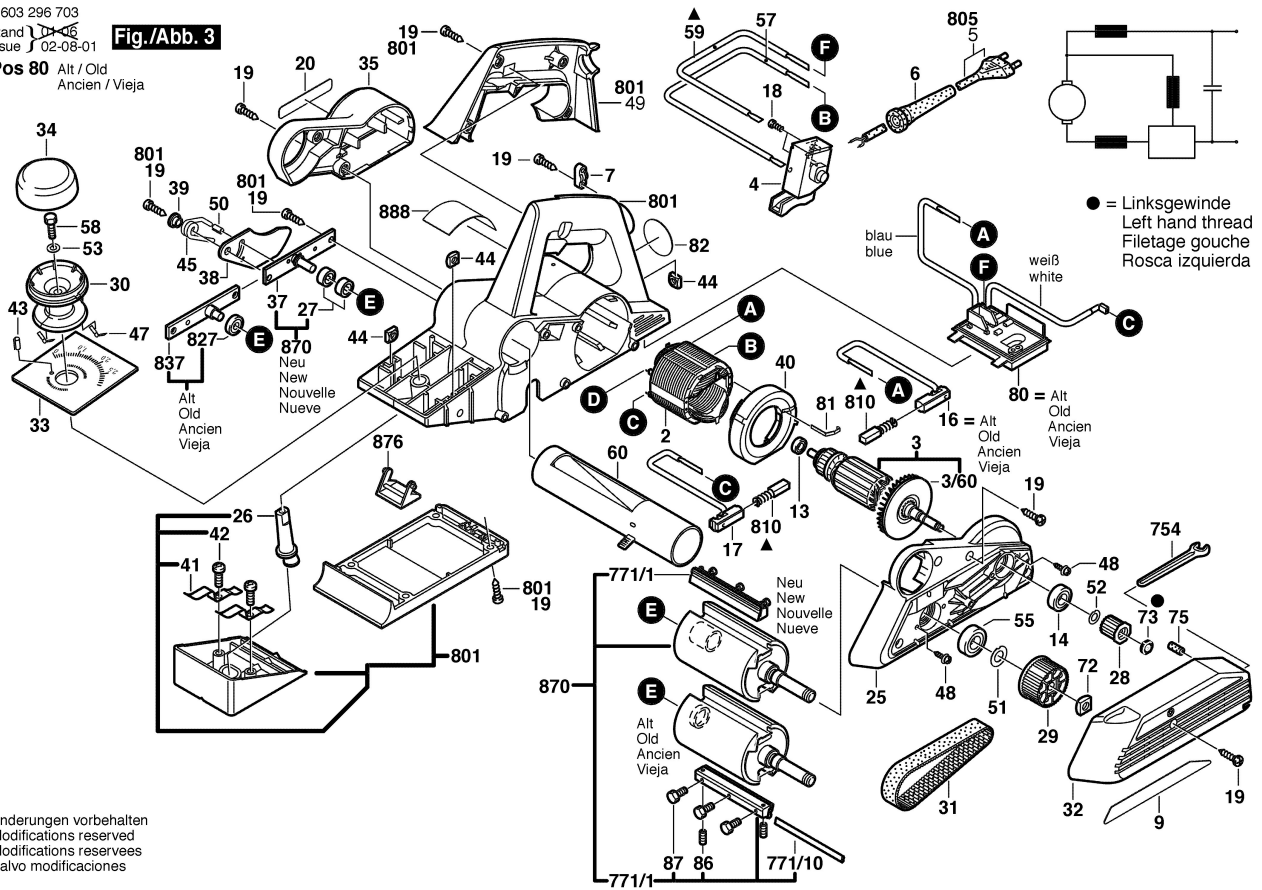
Fig./Abb. 2



0 603 296 703
 Stand 11-06
 Issue 02-08-01

Fig./Abb. 3

Pos 80 Alt / Old
 Ancien / Vieja



Änderungen vorbehalten
 Modifications reserved
 Modifications reserves
 Salvo modificaciones