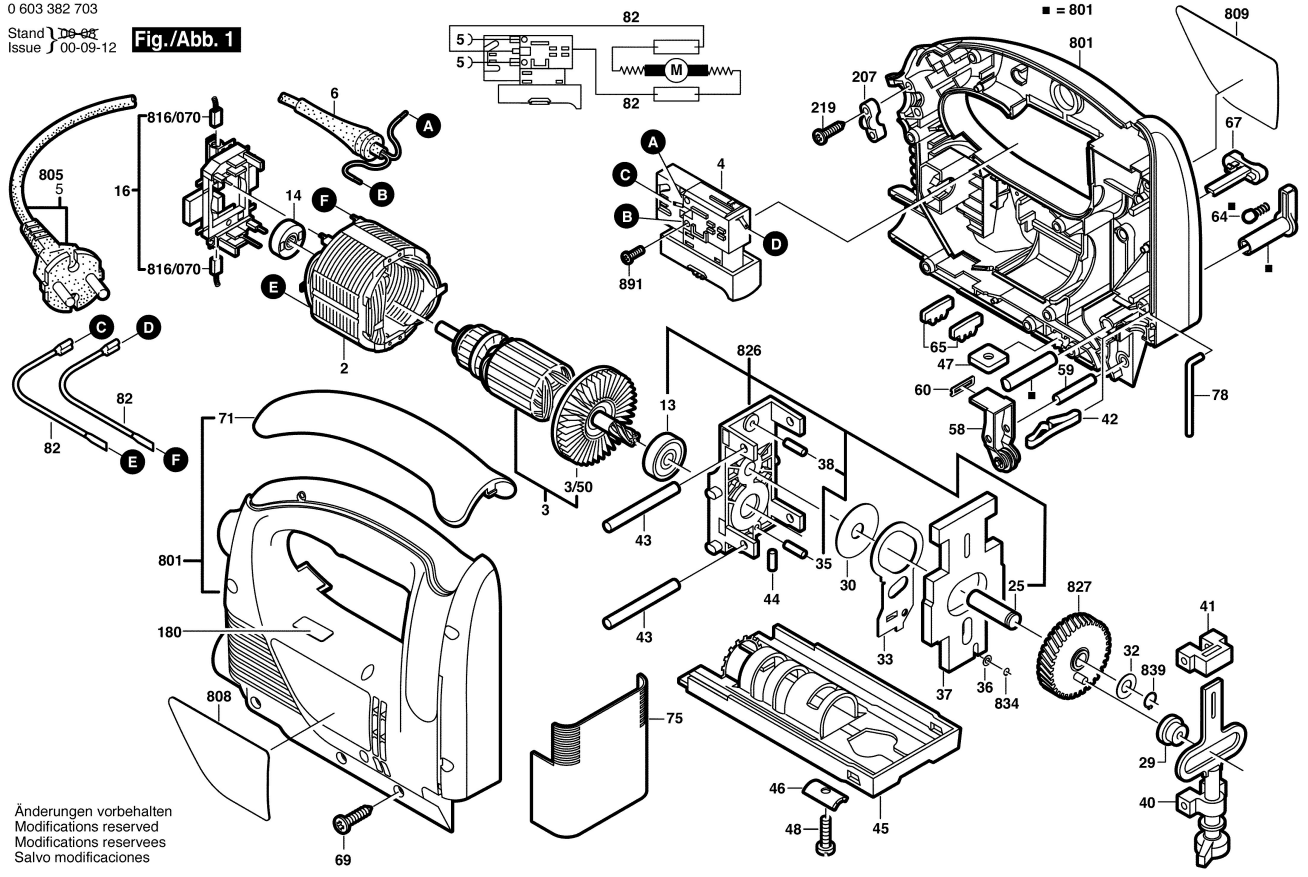


0 603 382 703
 Stand ~~1 09-04~~
 Issue J 00-09-12

Fig./Abb. 1



Änderungen vorbehalten
 Modifications reserved
 Modifications reserves
 Salvo modificaciones