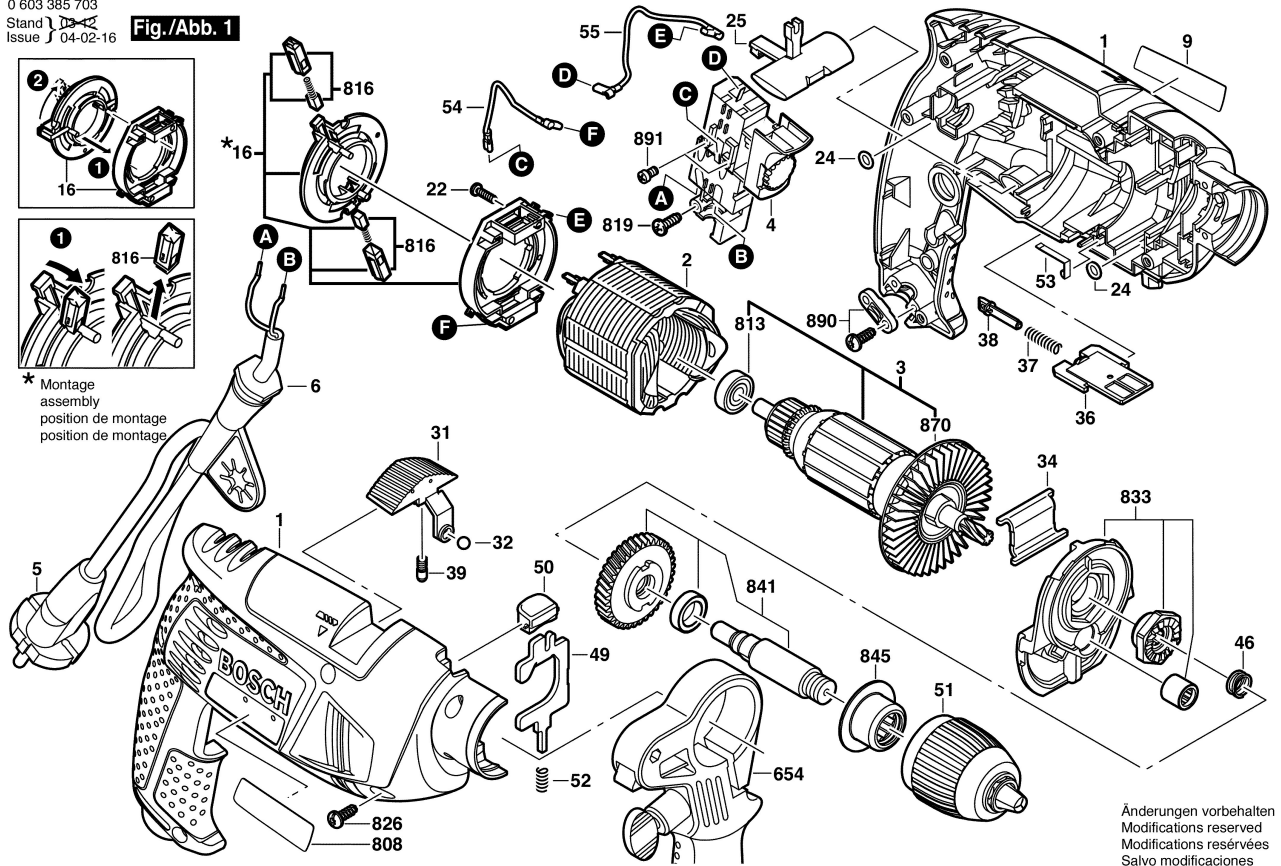


0 603 385 703  
 Stand 1 10 14  
 Issue 04-02-16

**Fig./Abb. 1**



0 603 385 703  
 Stand 1 10 14  
 Issue 06-07-24

**Fig./Abb. 2**

