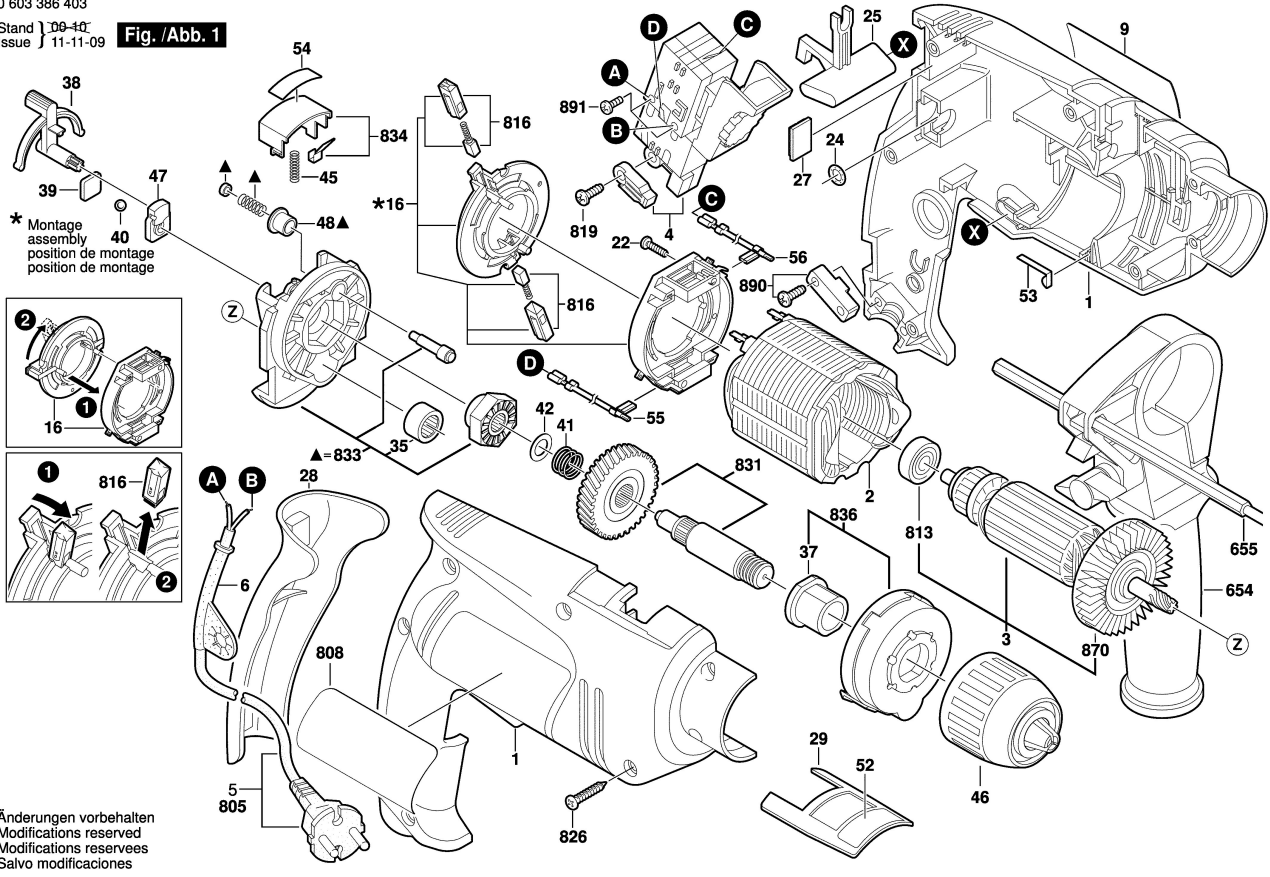


0 603 386 403

Stand } 09-10
Issue } 11-11-09

Fig./Abb. 1



* Montage assembly position de montage

Änderungen vorbehalten
Modifications reserved
Modifications reserves
Salvo modificaciones