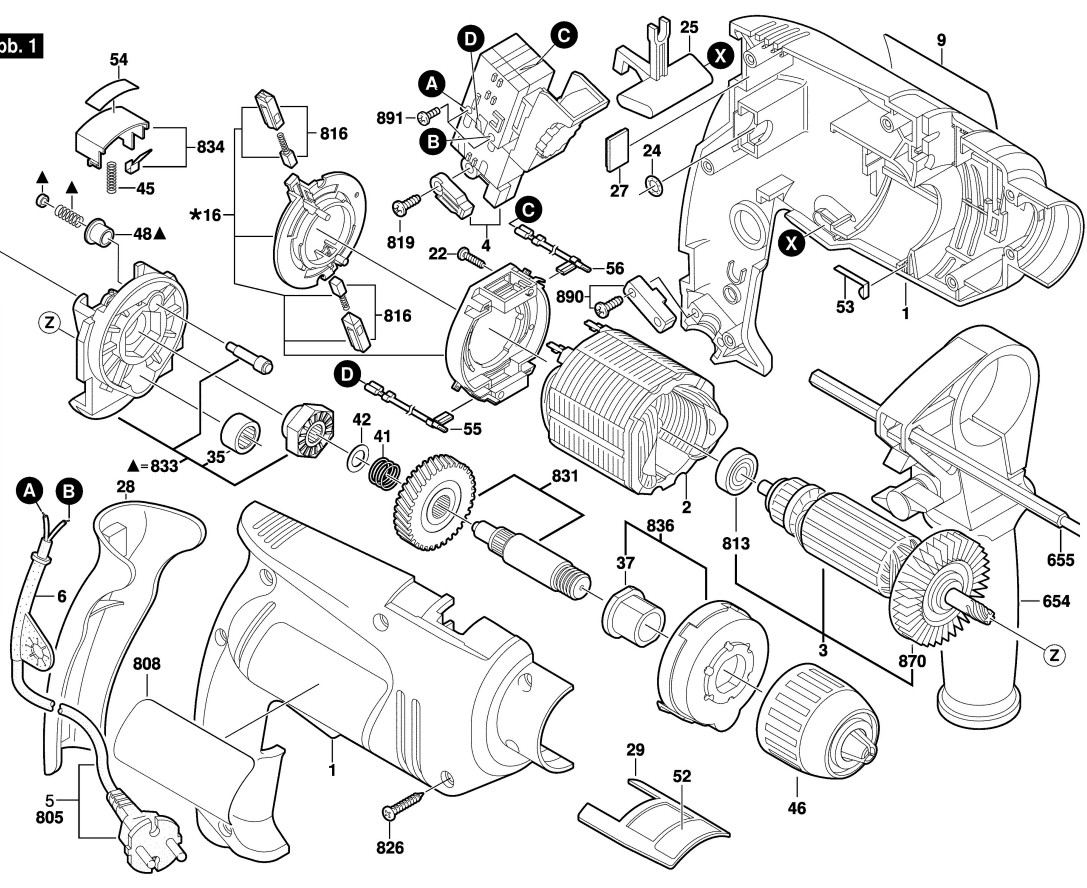
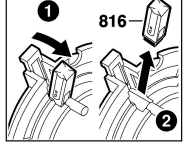
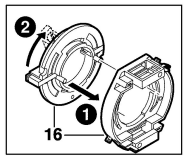


0 603 386 403

Stand } 09-10
Issue } 11-11-09

Fig./Abb. 1

38
39
47
40
* Montage
assembly
position de montage
position de montage



Änderungen vorbehalten
Modifications reserved
Modifications reserves
Salvo modificaciones