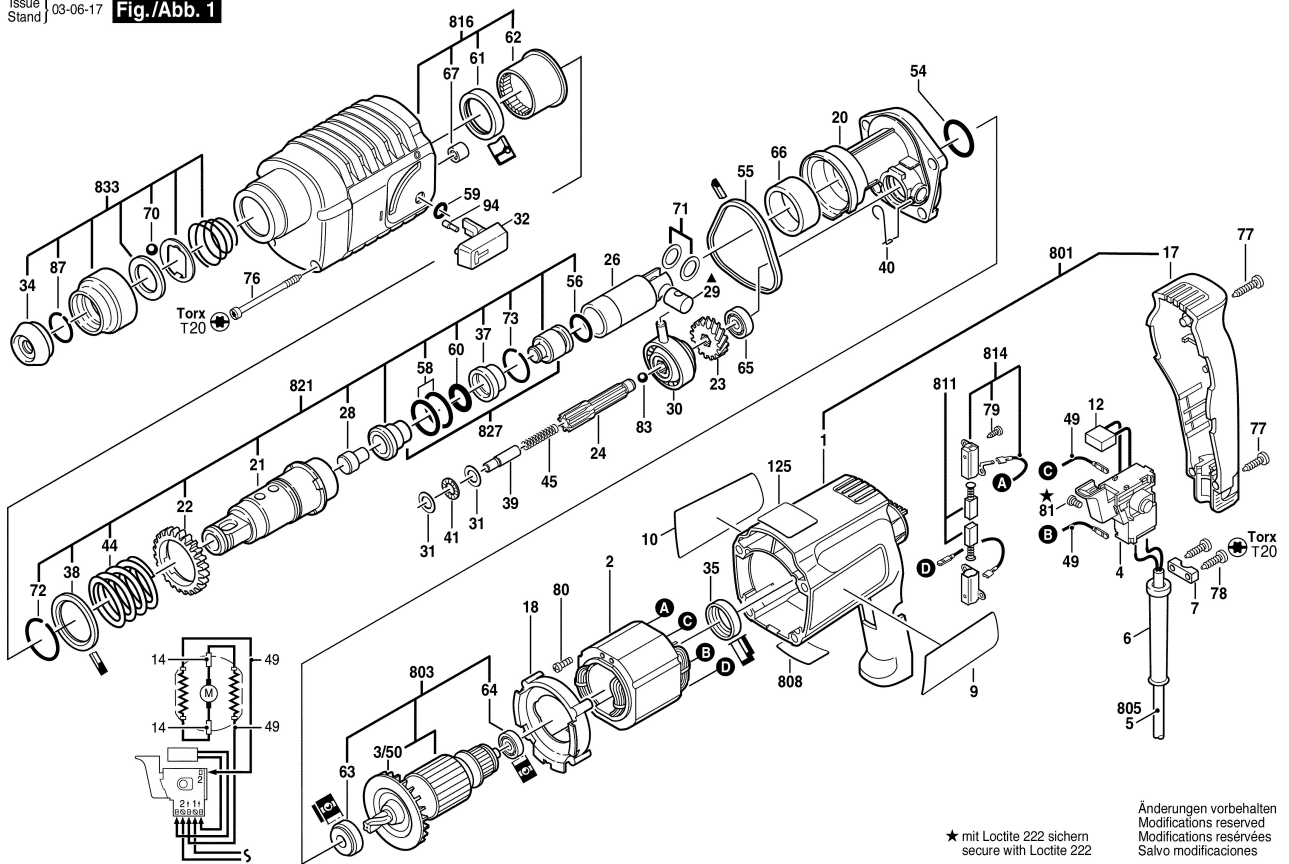


0 611 210 660; 661; 662

Issue | 03-06-17 **Fig./Abb. 1**



0 611 210 660; 661; 662

Issue | 03-06-17 **Fig./Abb. 2**

