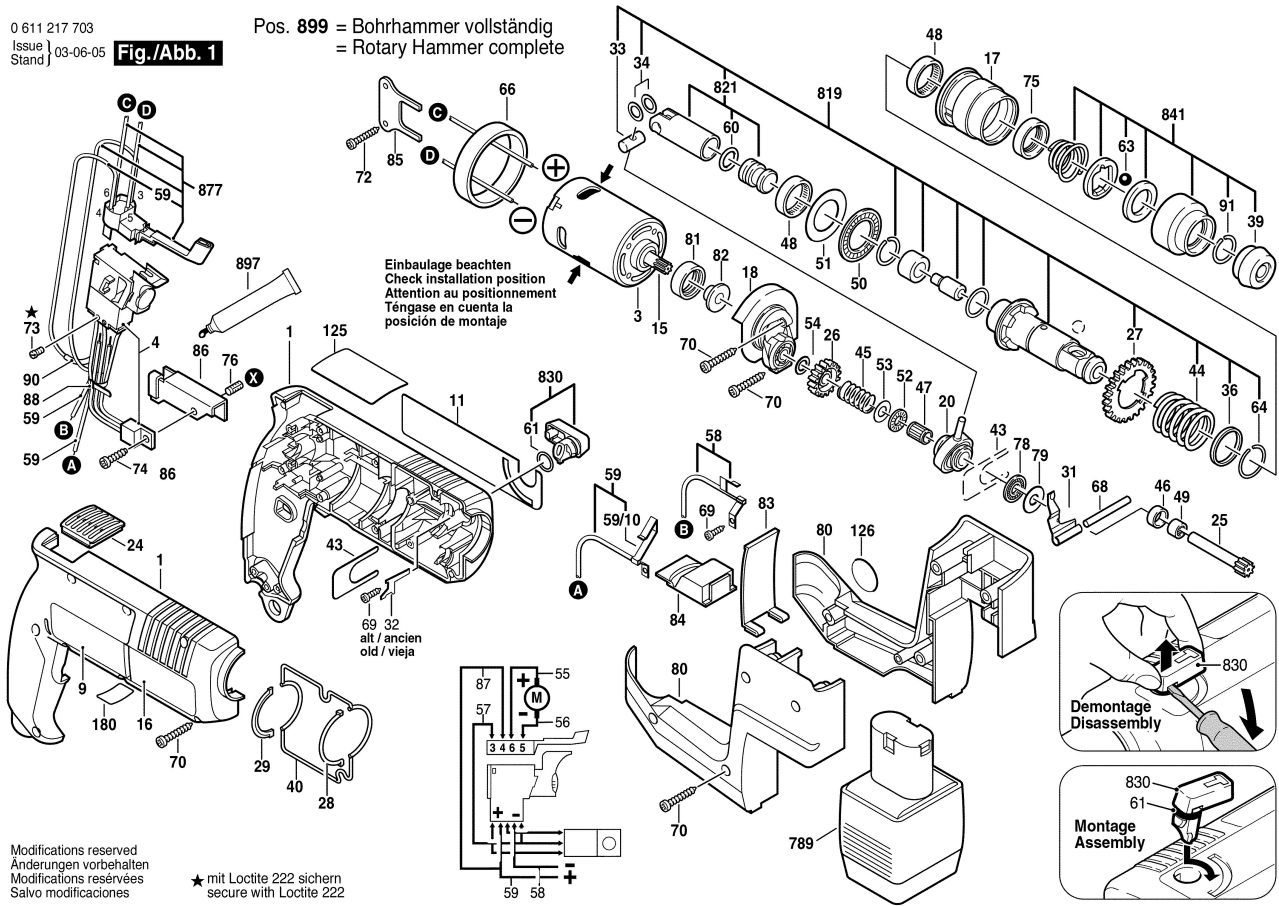


0 611 217 703  
 Issue | 03-06-05  
 Stand |

**Fig./Abb. 1**

Pos. 899 = Bohrerhammer vollständig  
 = Rotary Hammer complete



0 611 217 703  
 Issue | 03-06-05  
 Stand |

**Fig./Abb. 2**

