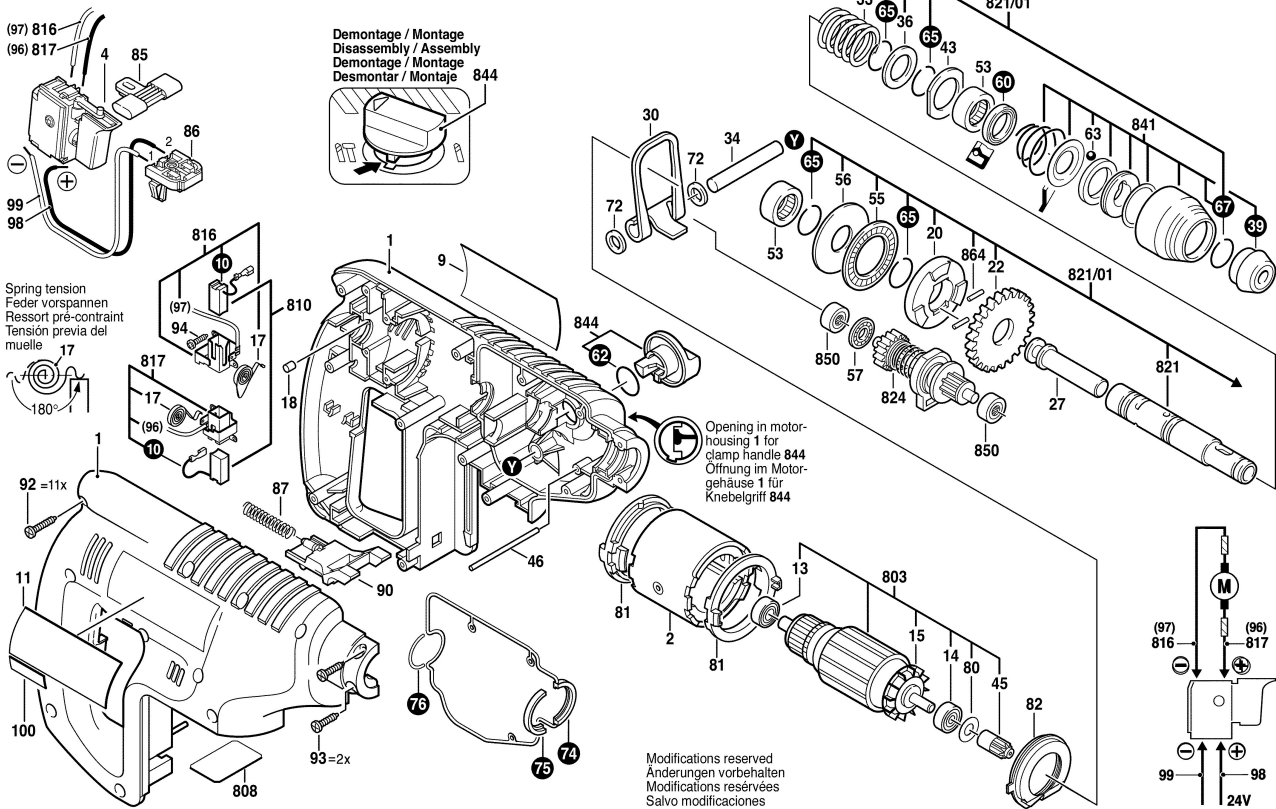


0 611 225 778
 Issue | 05-05-31
 Stand |

Fig./Abb. 1

● = Pos. 897 1 617 000 400 without grease tube
 1 617 000 400 ohne Fettube
 Please note lubrication instructions!
 Bitte Schmierhinweise beachten!



0 611 225 778
 Issue | 05-05-31
 Stand |

Fig./Abb. 2

