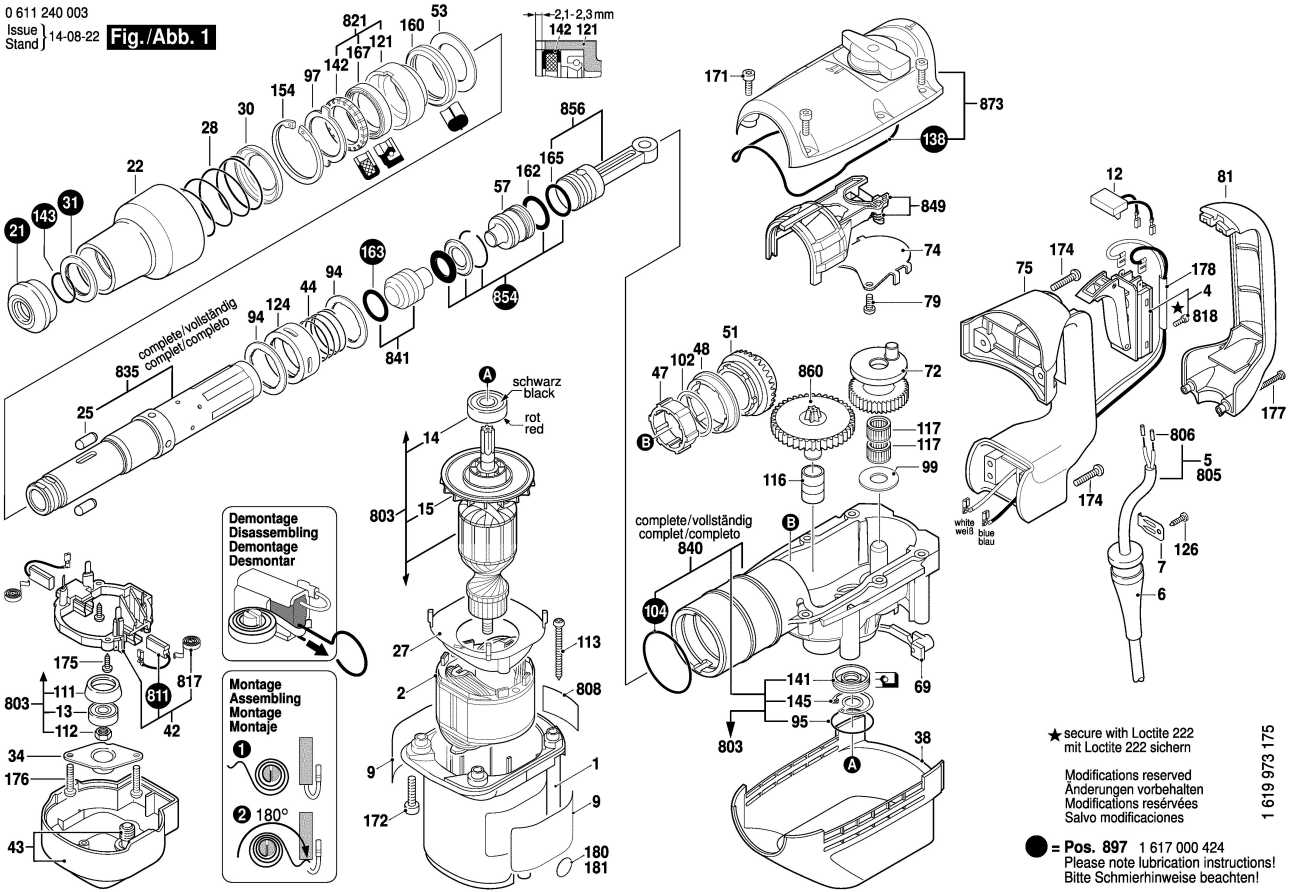


0 611 240 003
Issue 14-08-22
Stand

Fig./Abb. 1



0 611 240 003
Issue 14-08-22
Stand

Fig./Abb. 2

