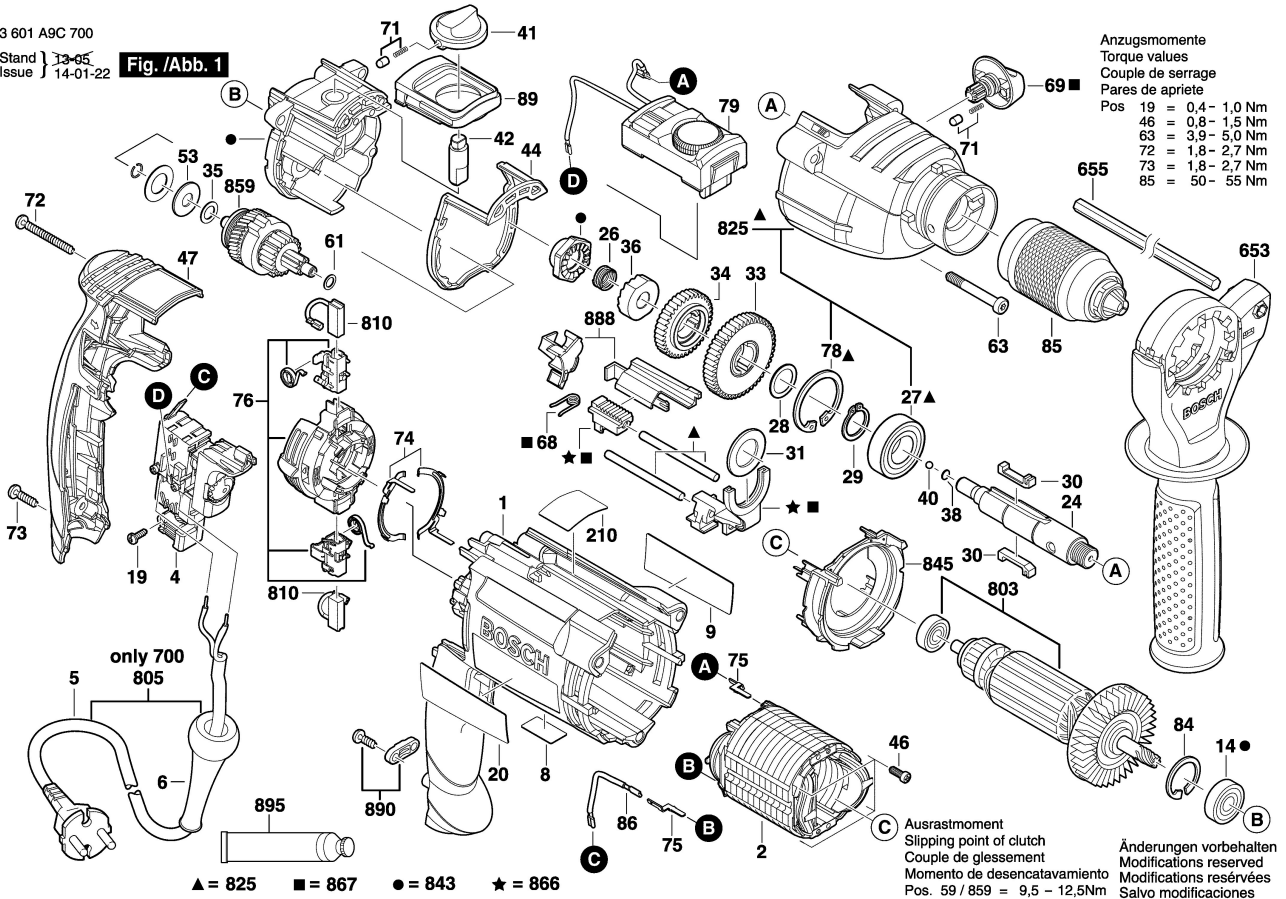


3 601 A9C 700

Stand } 13-05
Issue } 14-01-22

Fig./Abb. 1



Anzugsmomente
Torque values
Couple de serrage
Pares de apriete

| | | | |
|-----|----|---|--------------|
| Pos | 19 | = | 0,4 - 1,0 Nm |
| | 46 | = | 0,8 - 1,5 Nm |
| | 63 | = | 3,9 - 5,0 Nm |
| | 72 | = | 1,8 - 2,7 Nm |
| | 73 | = | 1,8 - 2,7 Nm |
| | 85 | = | 50 - 55 Nm |

▲ = 825 ■ = 867 ● = 843 ★ = 866

Ausrastmoment
Slipping point of clutch
Couple de gissement
Momento de desenganamiento

Änderungen vorbehalten
Modifications reserved
Modificaciones reservadas