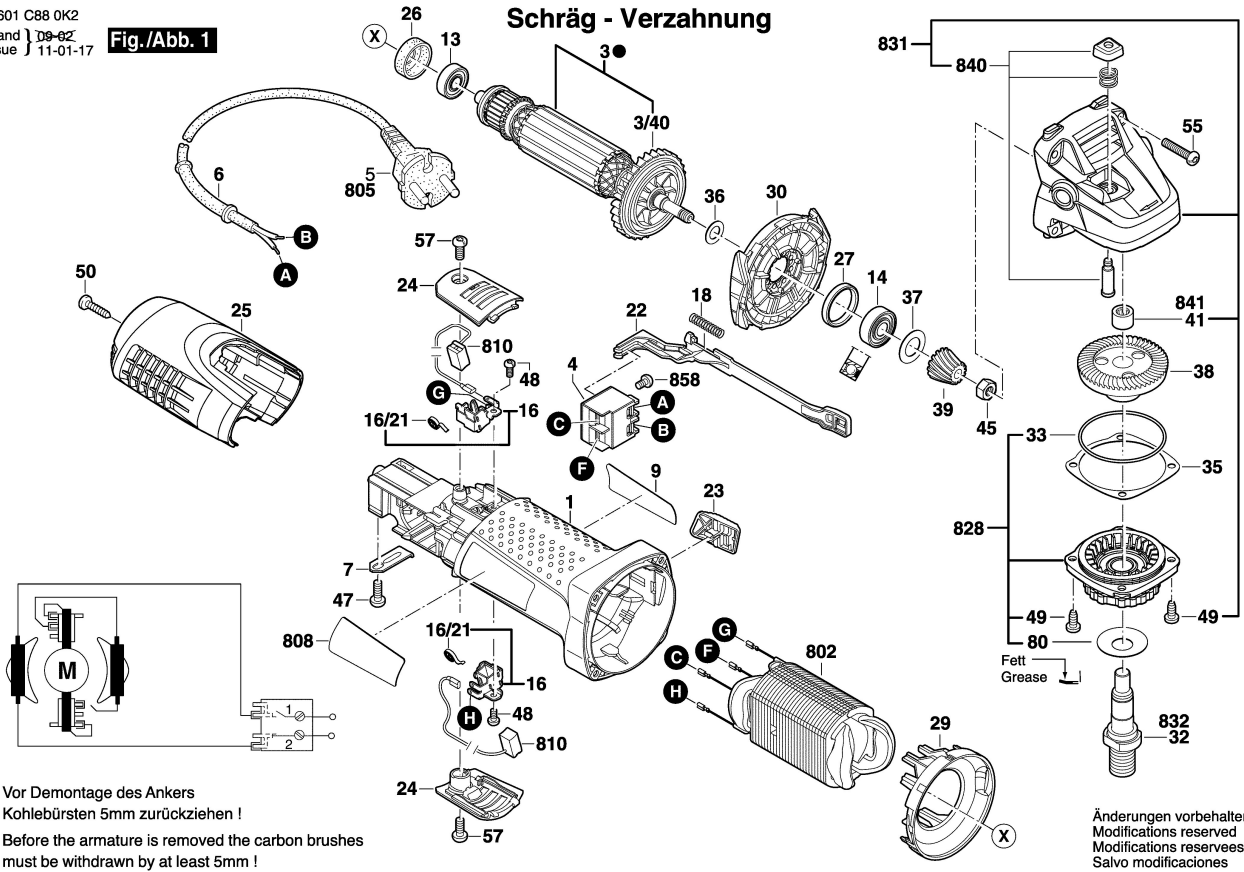


3 601 C88 0K2  
 Stand | 09-02  
 Issue | 11-01-17

**Fig./Abb. 1**

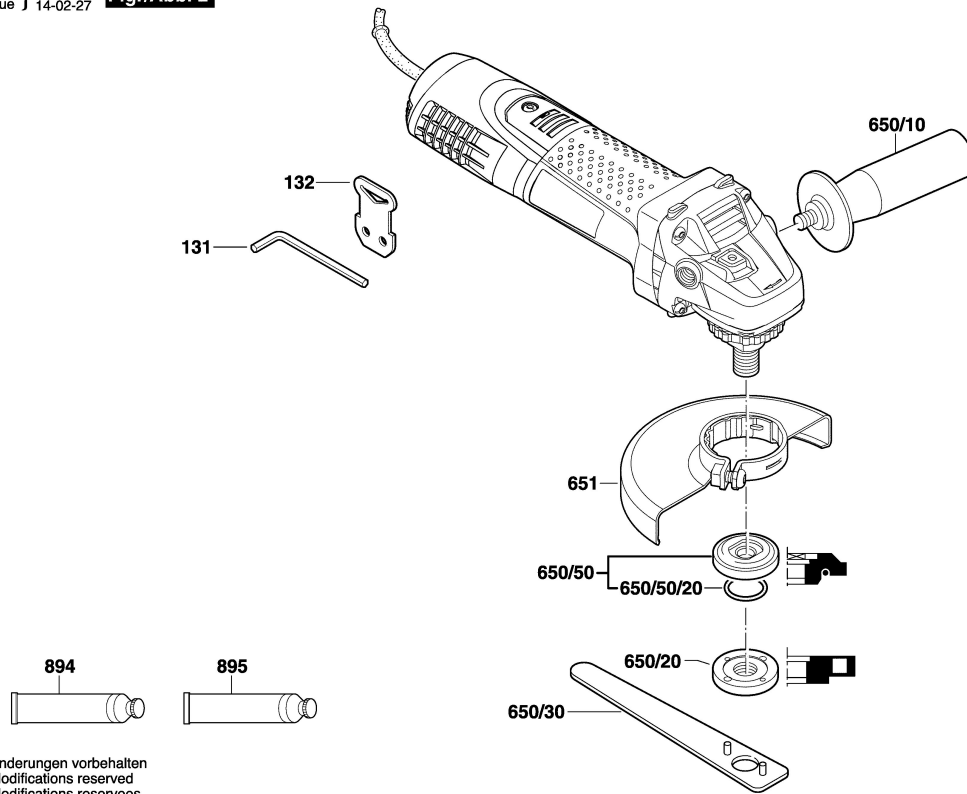


● Vor Demontage des Ankers  
 Kohlebürsten 5mm zurückziehen !  
 Before the armature is removed the carbon brushes  
 must be withdrawn by at least 5mm !

Änderungen vorbehalten  
 Modifications reserved  
 Modifications reserves  
 Salvo modificaciones

3 601 C88 0K2  
 Stand | 09-02  
 Issue | 14-02-27

**Fig./Abb. 2**



Änderungen vorbehalten  
 Modifications reserved  
 Modifications reserves  
 Salvo modificaciones