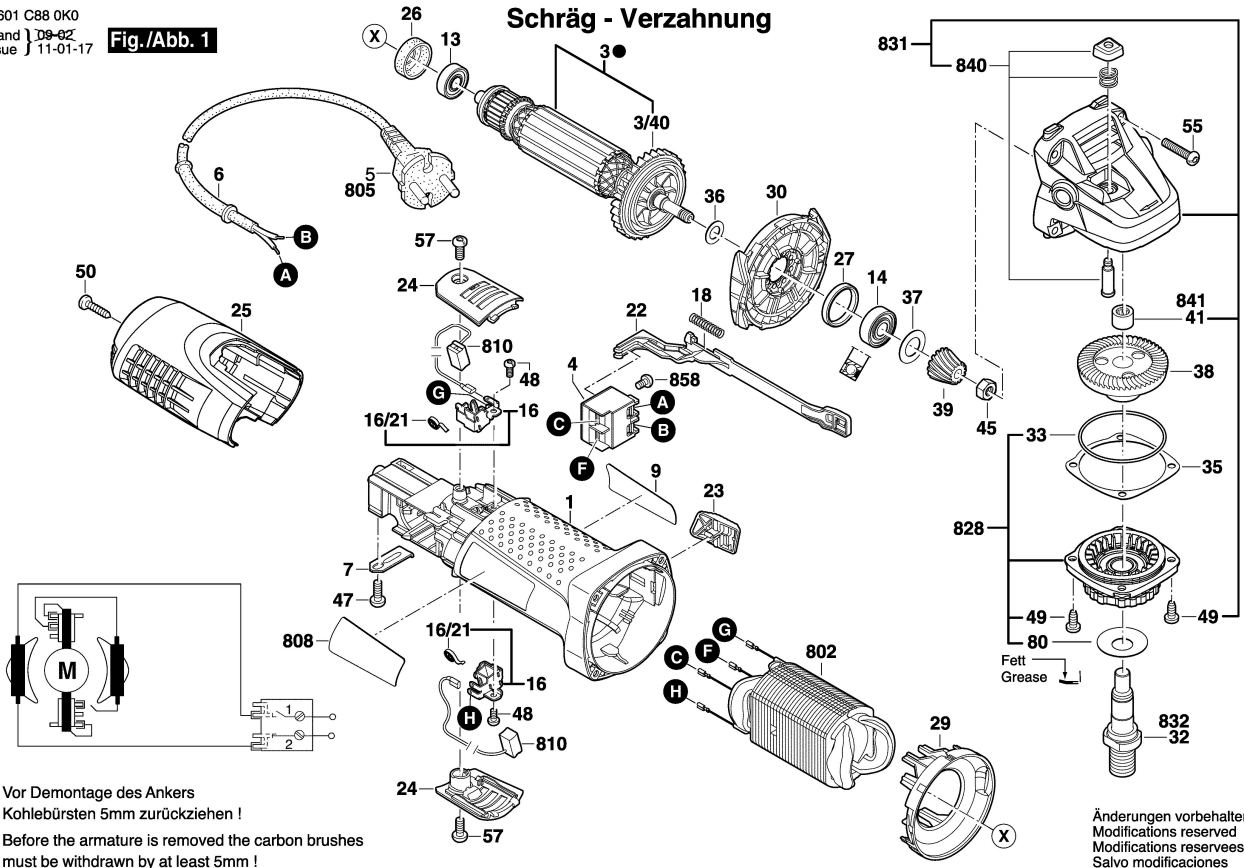


3 601 C88 0K0
 Stand | 09-02
 Issue | 11-01-17

Fig./Abb. 1

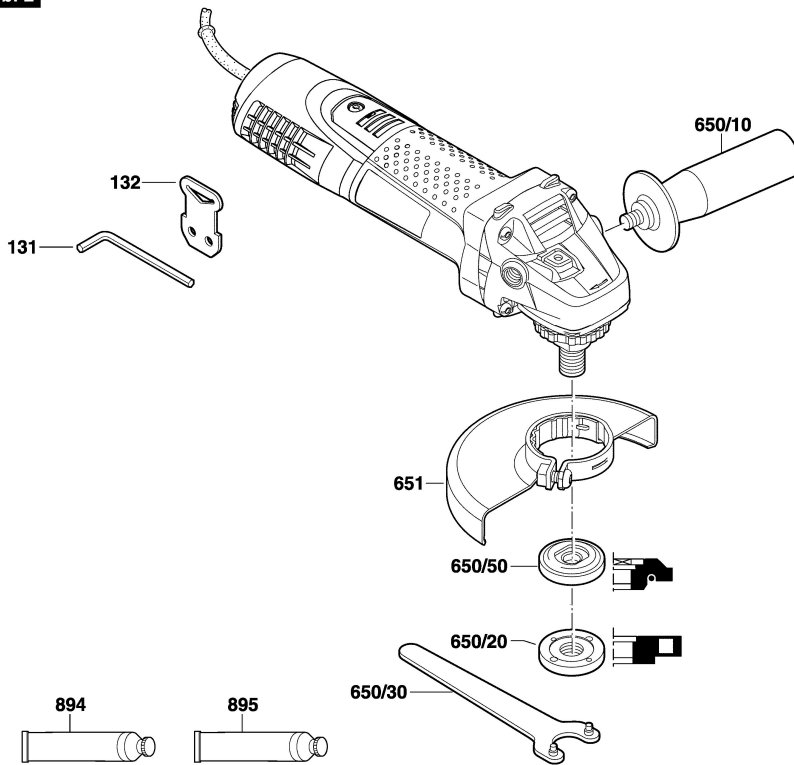


● Vor Demontage des Ankers
 Kohlebürsten 5mm zurückziehen !
 Before the armature is removed the carbon brushes
 must be withdrawn by at least 5mm !

Änderungen vorbehalten
 Modifications reserved
 Modifications reserves
 Salvo modificaciones

3 601 C88 0K0
 Stand | 09-01
 Issue | 14-02-27

Fig./Abb. 2



Änderungen vorbehalten
 Modifications reserved
 Modifications reserves
 Salvo modificaciones