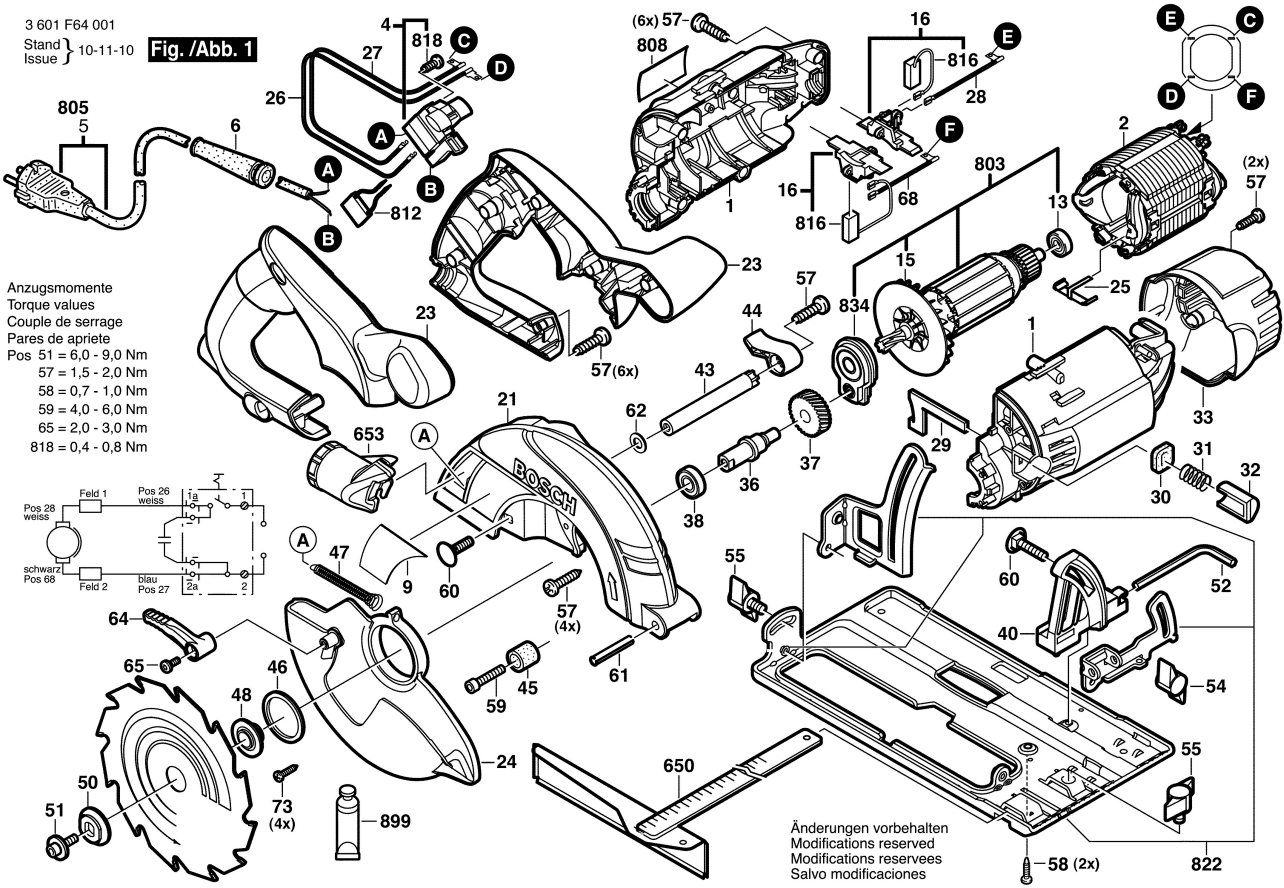
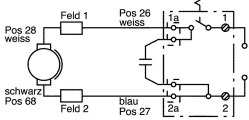


3 601 F64 001
 Stand 10-11-10
 Issue J

Fig./Abb. 1



Anzugsmomente
 Torque values
 Couple de serrage
 Pares de apriete
 Pos 51 = 6,0 - 9,0 Nm
 57 = 1,5 - 2,0 Nm
 58 = 0,7 - 1,0 Nm
 59 = 4,0 - 6,0 Nm
 65 = 2,0 - 3,0 Nm
 818 = 0,4 - 0,8 Nm



Änderungen vorbehalten
 Modifications reserved
 Modifications reserves
 Salvo modificaciones