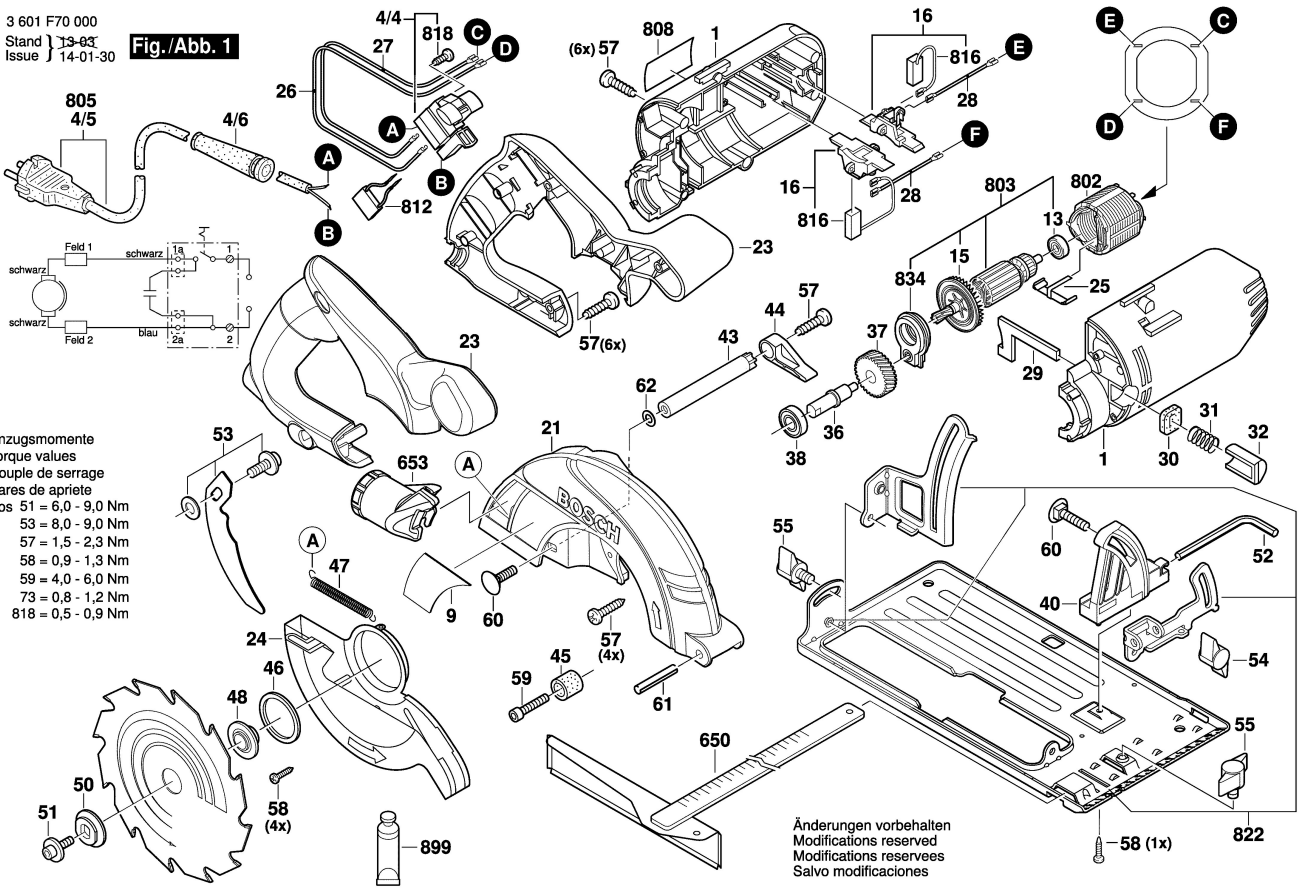


3 601 F70 000
 Stand | 13-03
 Issue | 14-01-30

Fig./Abb. 1



Anzugsmomente
 Torque values
 Couple de serrage
 Paires de apriete
 Pos 51 = 6,0 - 9,0 Nm
 53 = 8,0 - 9,0 Nm
 57 = 1,5 - 2,3 Nm
 58 = 0,9 - 1,3 Nm
 59 = 4,0 - 6,0 Nm
 73 = 0,8 - 1,2 Nm
 818 = 0,5 - 0,9 Nm

Änderungen vorbehalten
 Modifications reserved
 Modifications reserves
 Salvo modificaciones