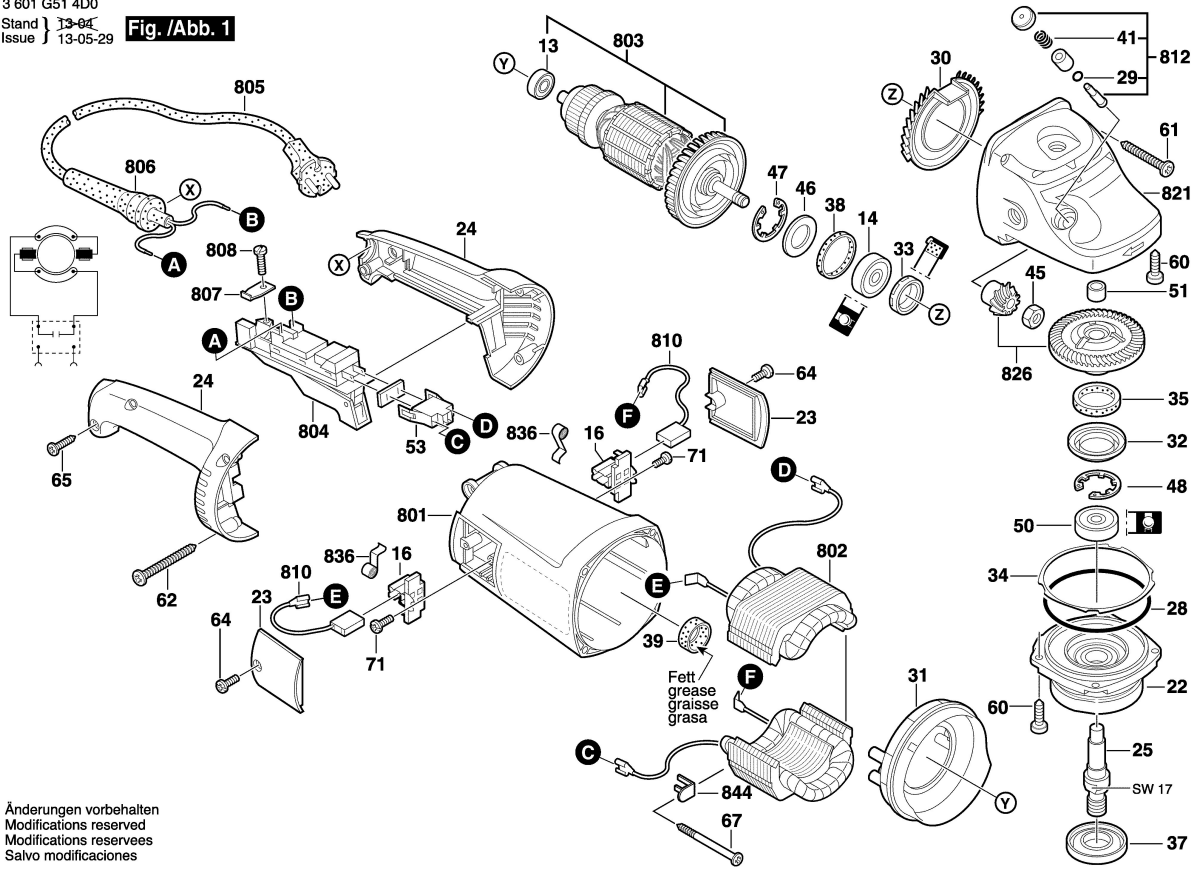


3 601 G51 4D0
 Stand | 13-04
 Issue | 13-05-29

Fig. /Abb. 1



Änderungen vorbehalten
 Modifications reserved
 Modifications reserves
 Salvo modificaciones