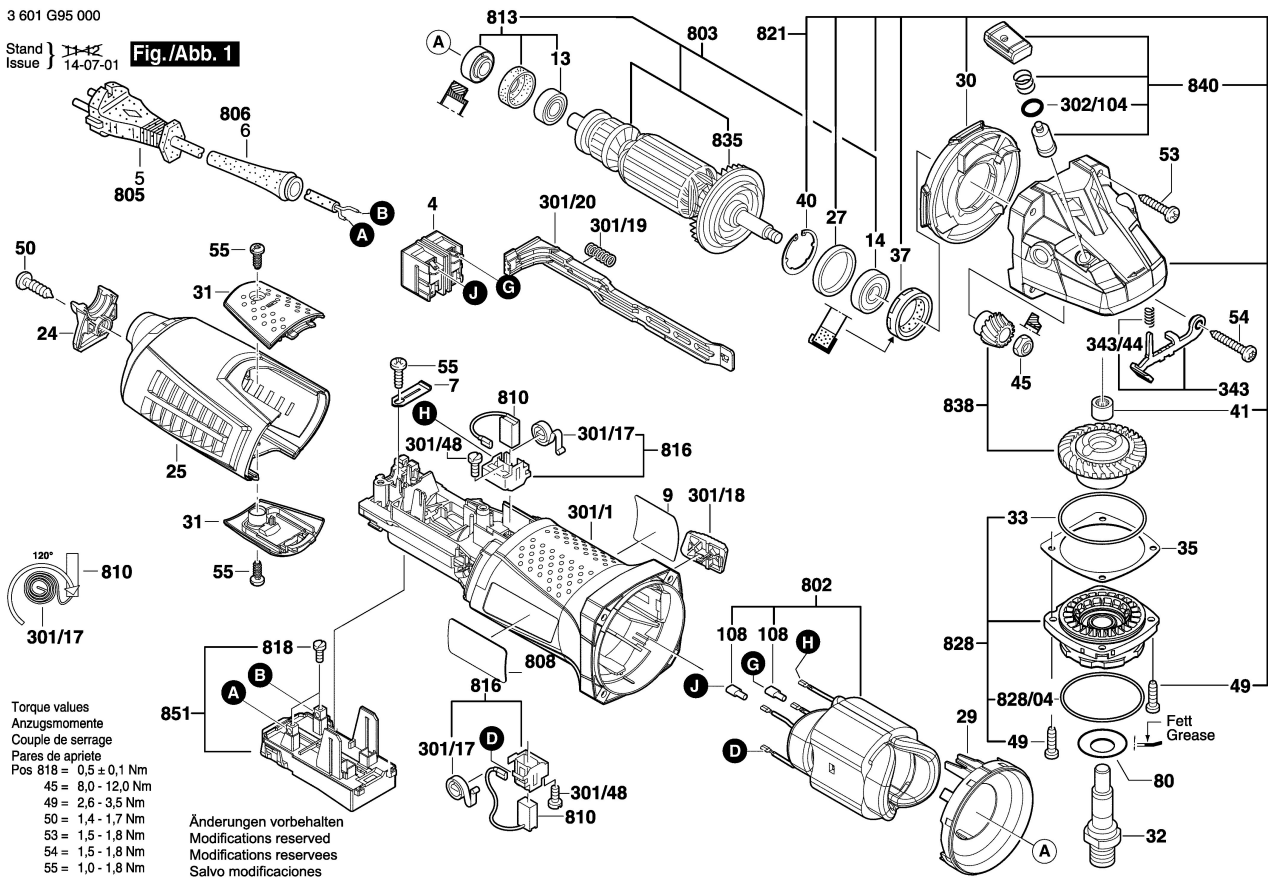


3 601 G95 000

Stand } 14-07-01
Issue } 14-07-01

Fig./Abb. 1



3 601 G95 000

Stand } 14-03-27
Issue } 14-03-27

Fig./Abb. 2

