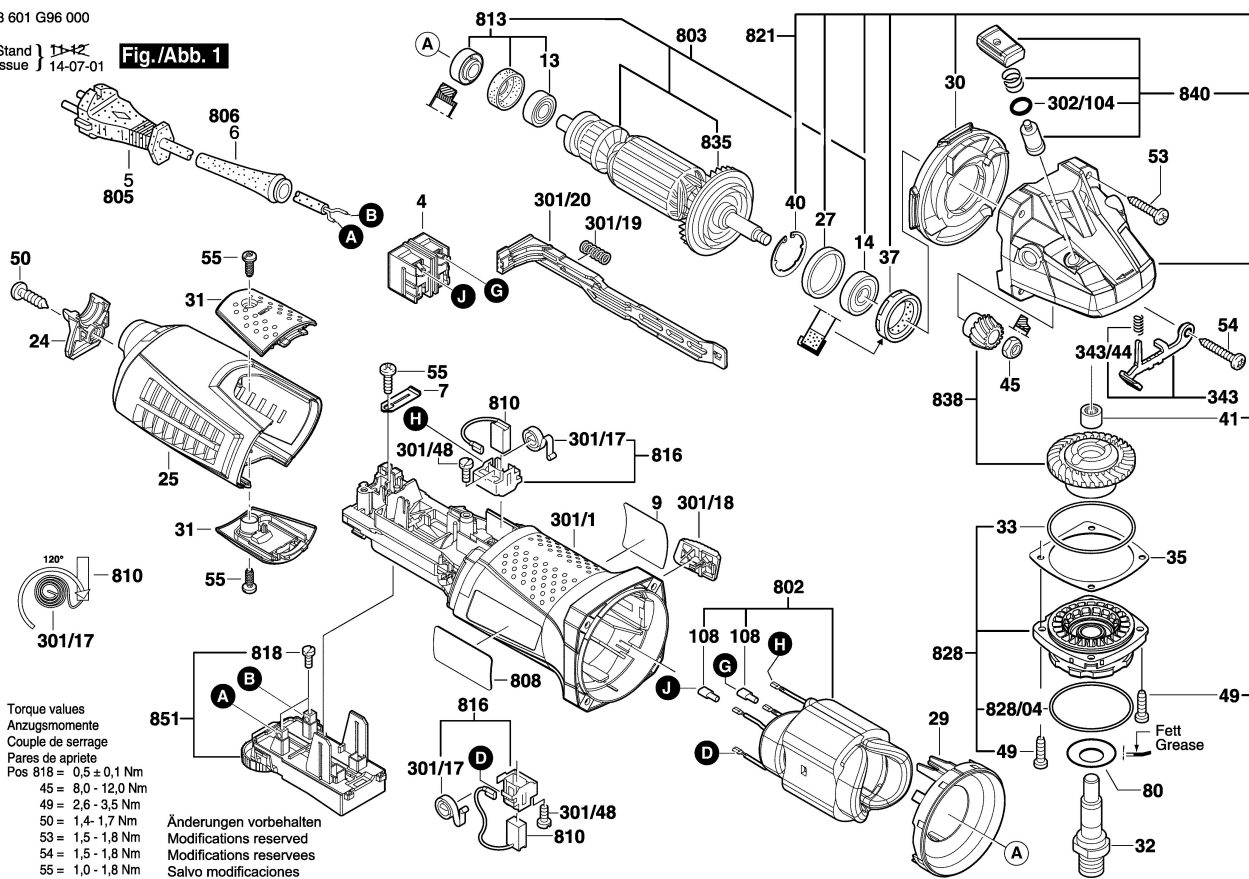


3 601 G96 000

Stand } 11-12
Issue } 14-07-01

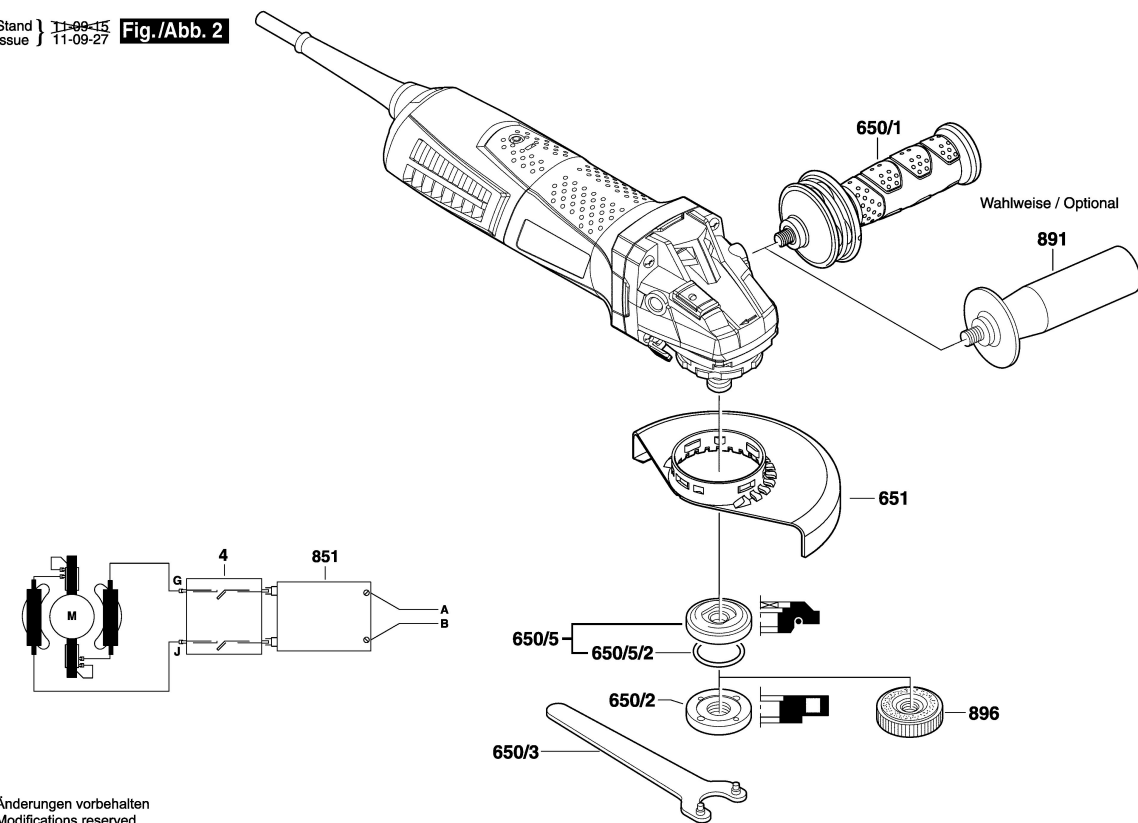
Fig./Abb. 1



3 601 G96 000

Stand } 11-09-15
Issue } 11-09-27

Fig./Abb. 2



Änderungen vorbehalten
Modifications reserved
Modifications reserves
Salvo modificaciones