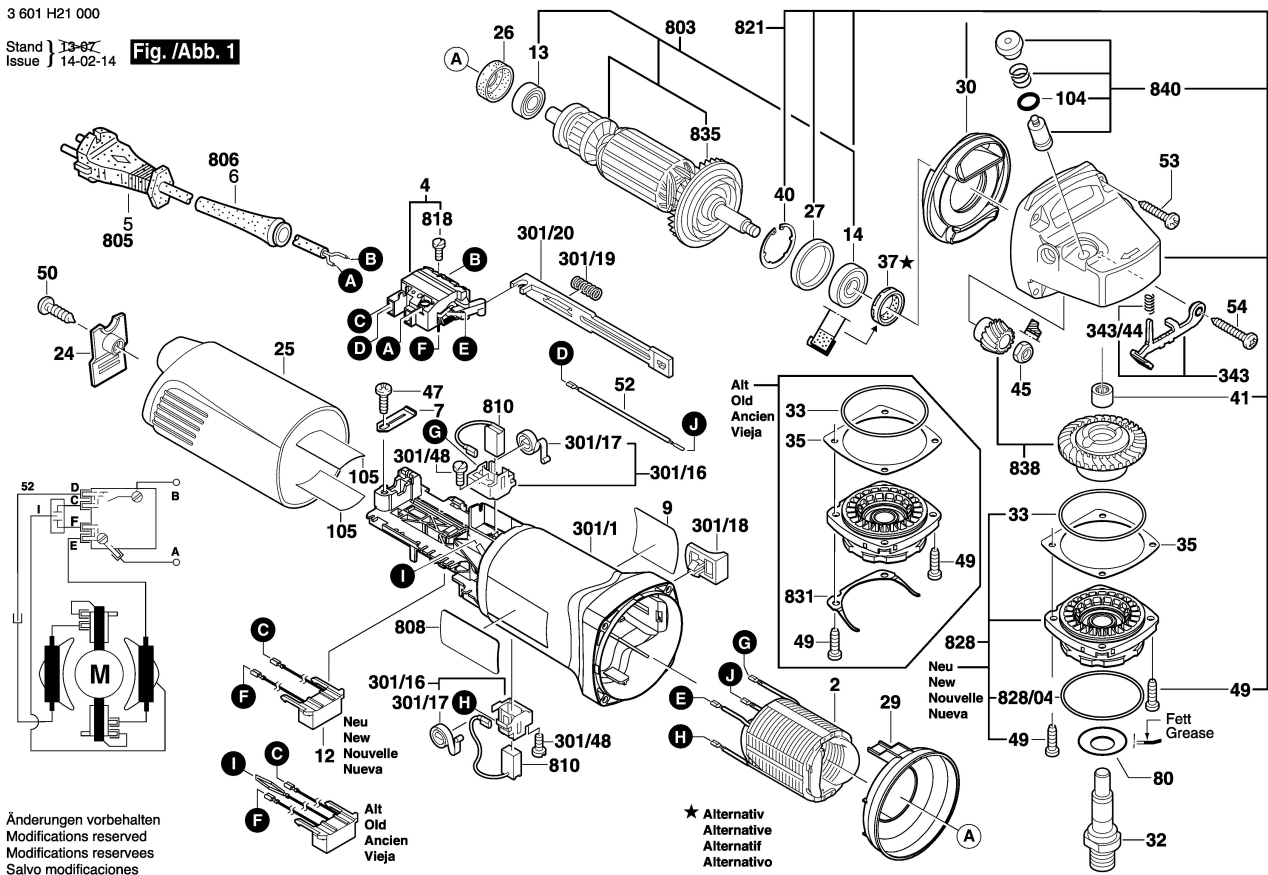


3 601 H21 000

Stand | 13-62  
Issue | 14-02-14 **Fig./Abb. 1**



3 601 H21 000

Stand | 07-62  
Issue | 14-03-27 **Fig./Abb. 2**

