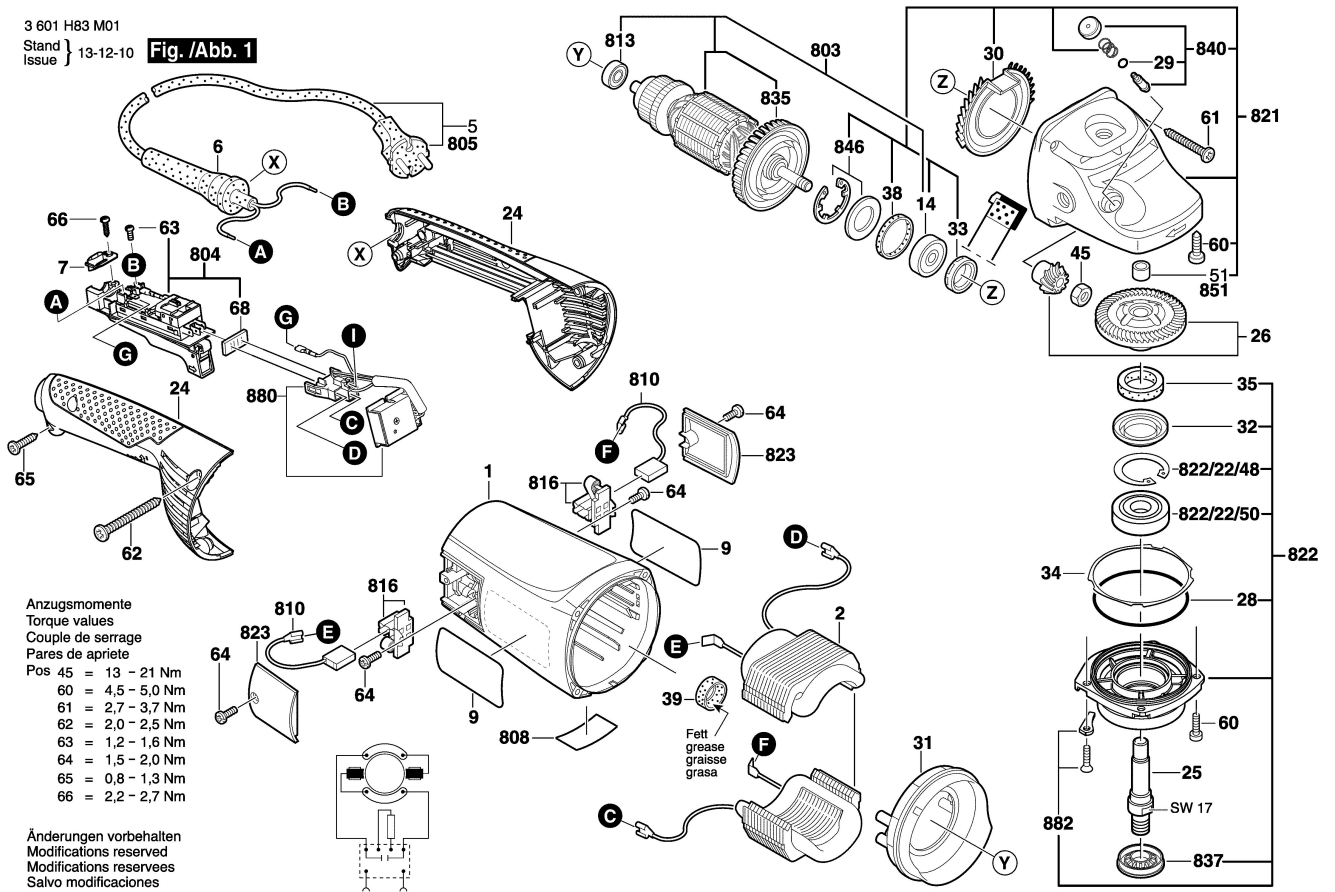


3 601 H83 M01

Stand Issue } 13-12-10

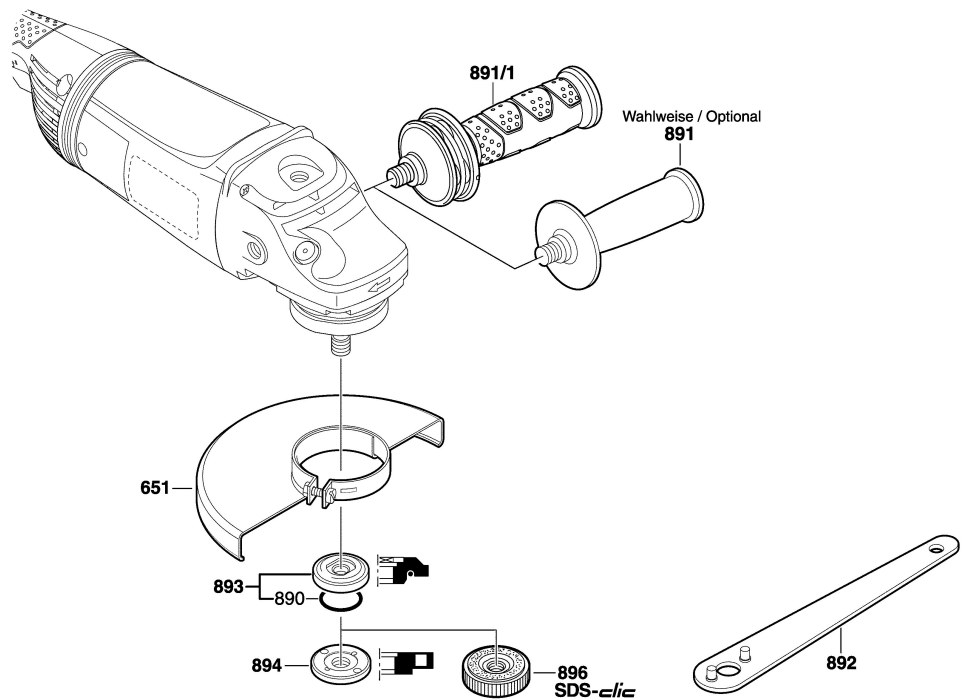
**Fig./Abb. 1**



3 601 H83 M01

Stand Issue } 13-12-10

**Fig./Abb. 2**



Änderungen vorbehalten  
Modifications reserved  
Modifications reserves  
Salvo modificaciones