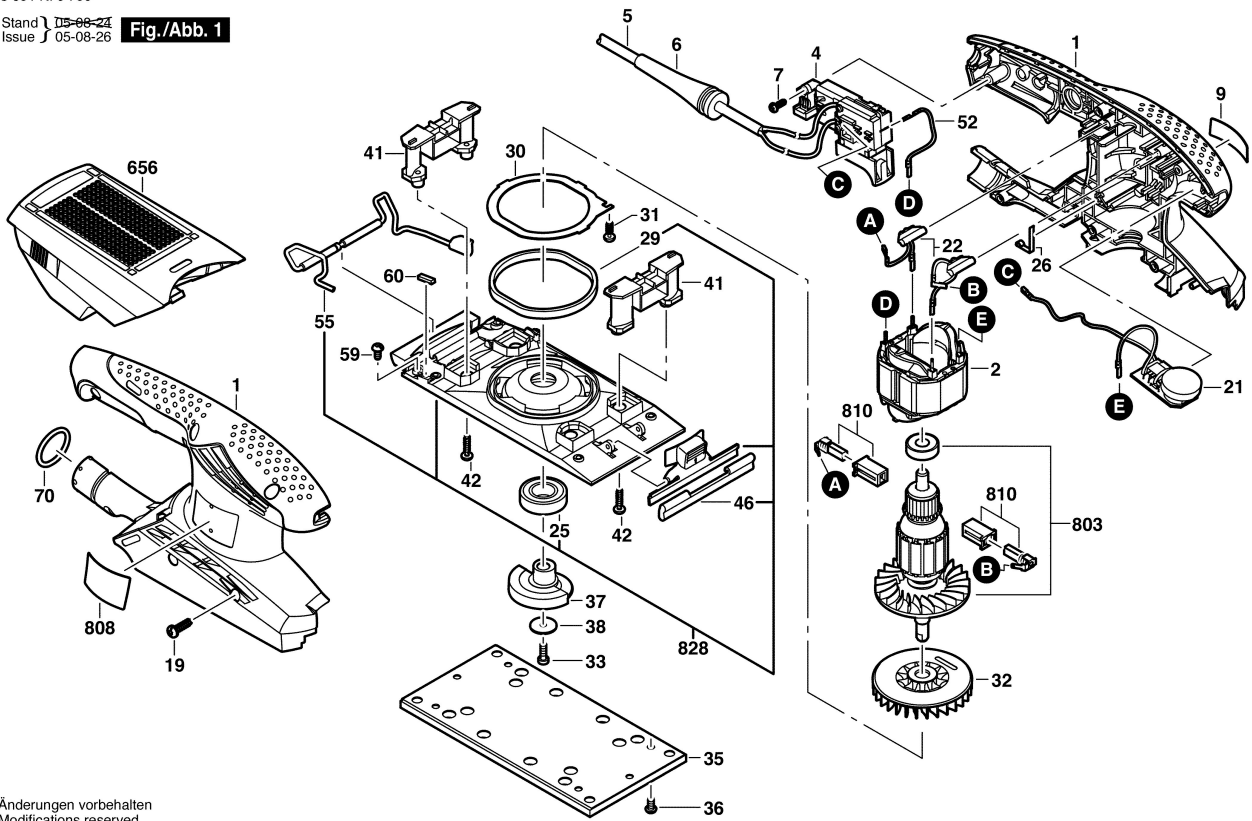


3 601 K70 700

Stand 05-08-24  
Issue 05-08-26

Fig./Abb. 1



Änderungen vorbehalten  
Modifications reserved  
Modifications reserves  
Salvo modificaciones