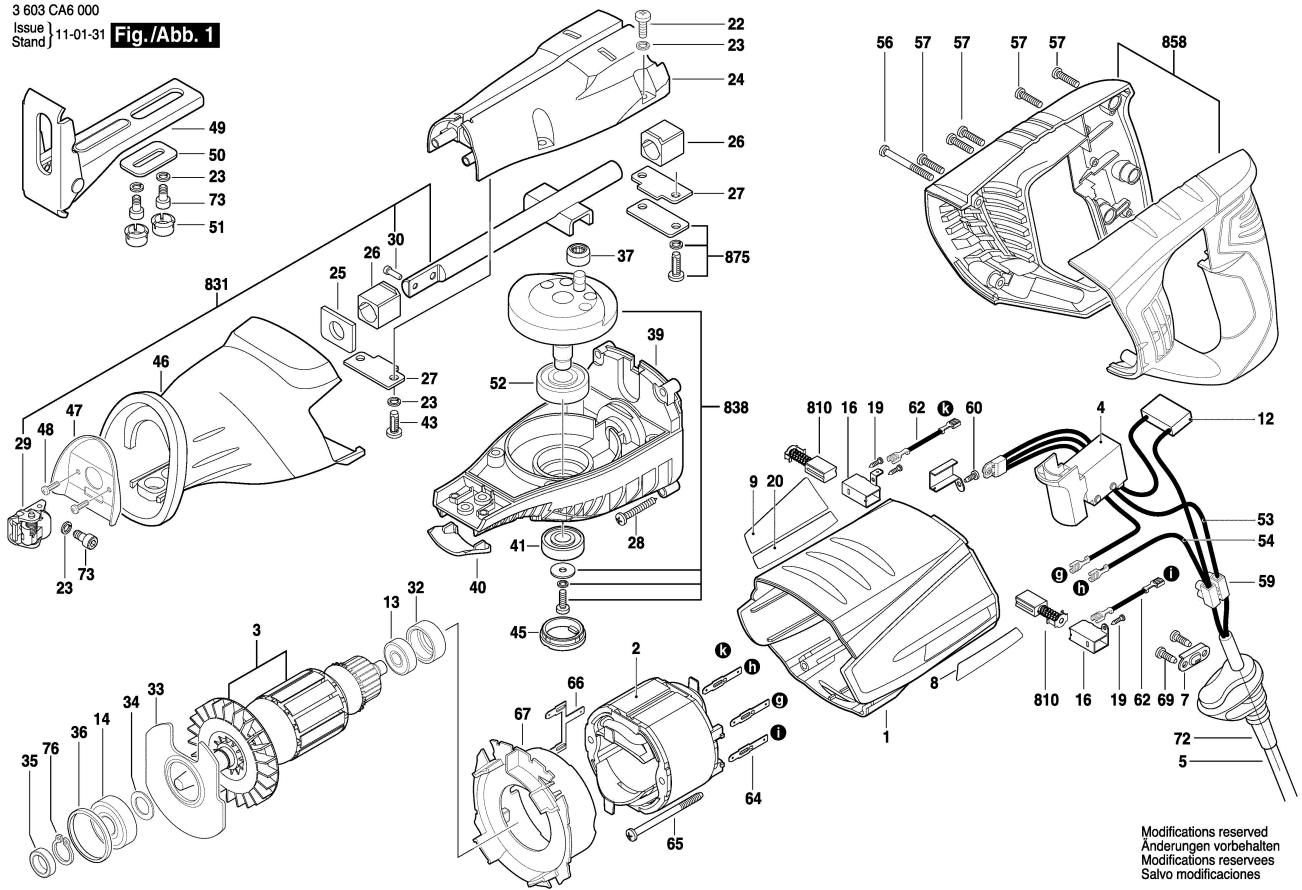


3 603 CA6 000
Issue
Standj

11-01-31 Fig./Abb. 1



Modifications reserved
Änderungen vorbehalten
Modifications reserves
Salvo modificaciones