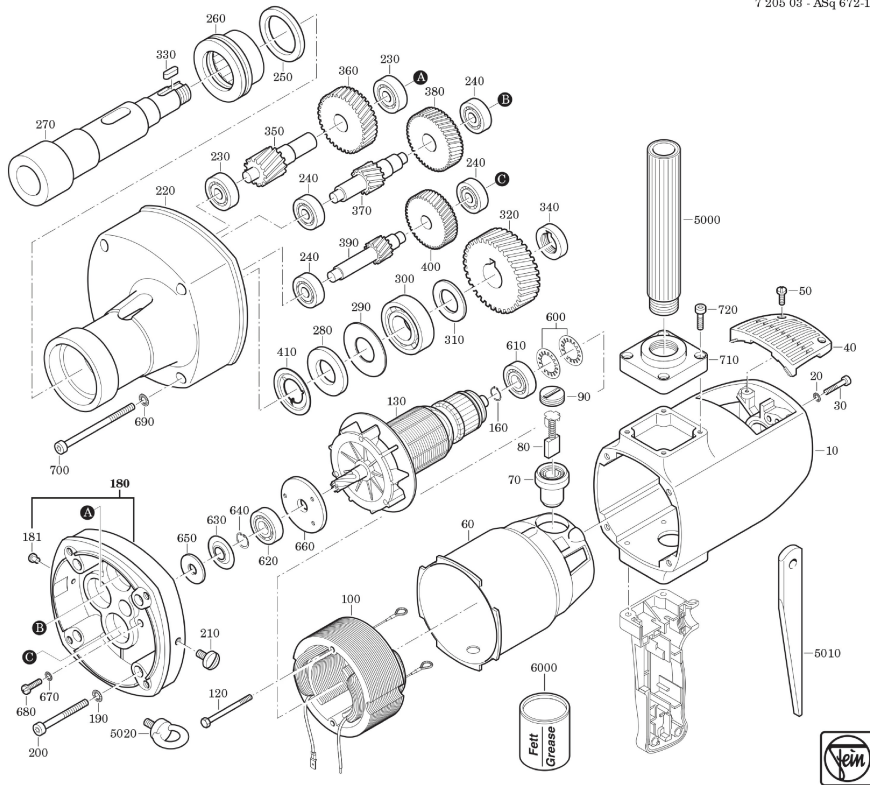


Type: ASq 672-1 (60Hz, 110V)  
Part no.: 72050313115

7 205 03 - ASq 672-1



Type: ASq 672-1 (60Hz, 110V)  
Part no.: 72050313115

7 205 03 - ASq 672-1

