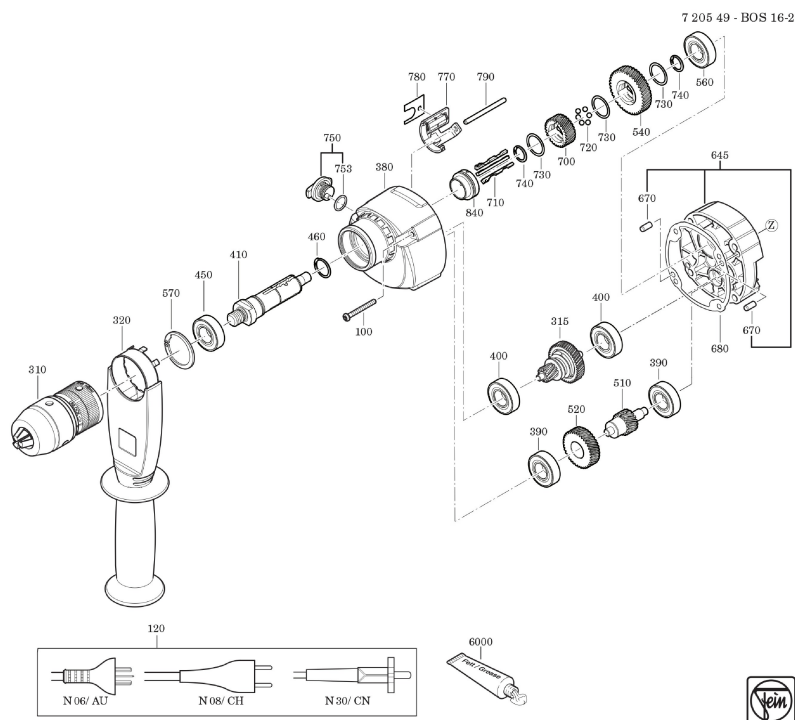


Type: BOS 16-2 (50/60Hz, 220/230V)
Part no.: 72054900230



Type: BOS 16-2 (50/60Hz, 220/230V)
Part no.: 72054900230

