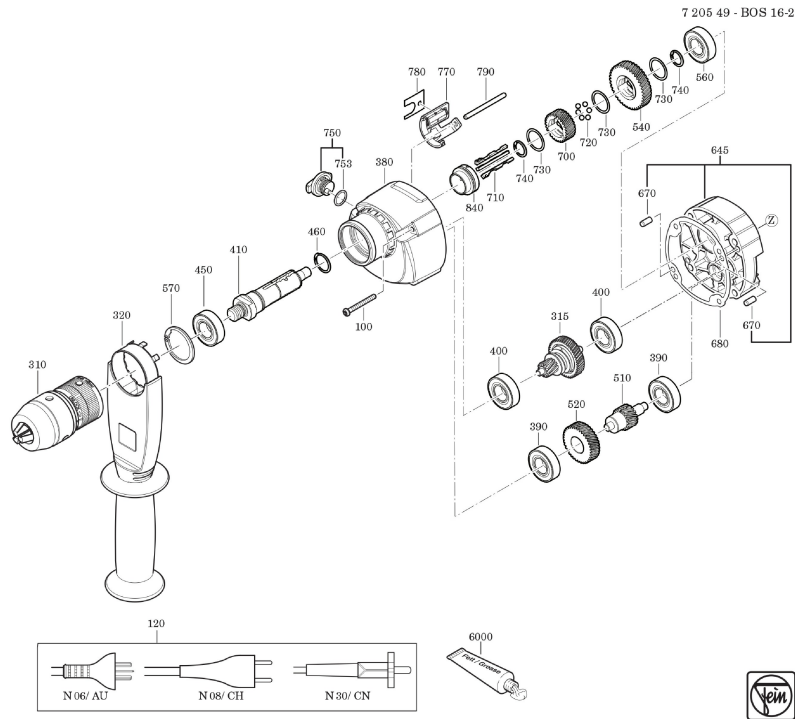


**Type:** BOS 16-2 (50/60Hz, 220/230V)  
**Part no.:** 72054908230



**Type:** BOS 16-2 (50/60Hz, 220/230V)  
**Part no.:** 72054908230

