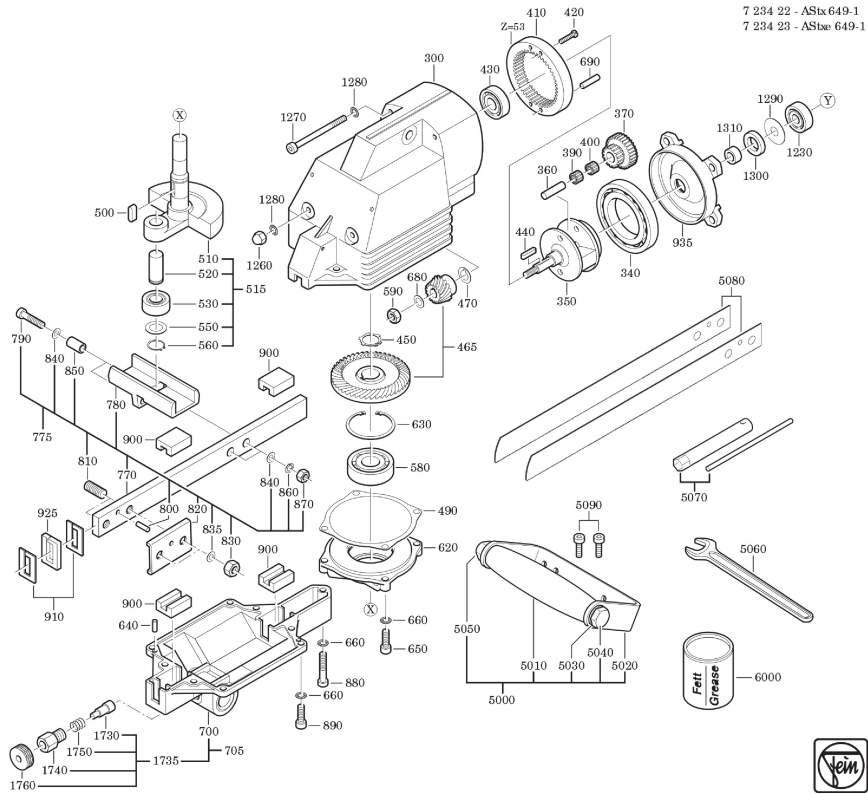


**Type:** AStx 649-1 (50/60Hz, 220/230V)  
**Part no.:** 72342208230



**Type:** AStx 649-1 (50/60Hz, 220/230V)  
**Part no.:** 72342208230

