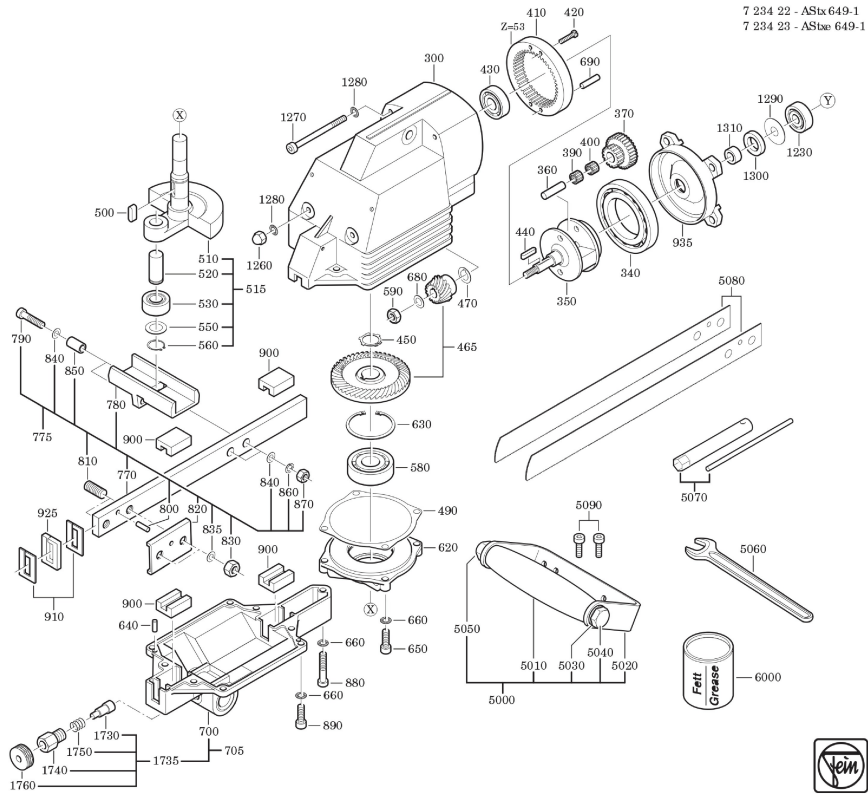


Type: ASStx 649-1 (60Hz, 220V)
Part no.: 72342300620



Type: ASStx 649-1 (60Hz, 220V)
Part no.: 72342300620

