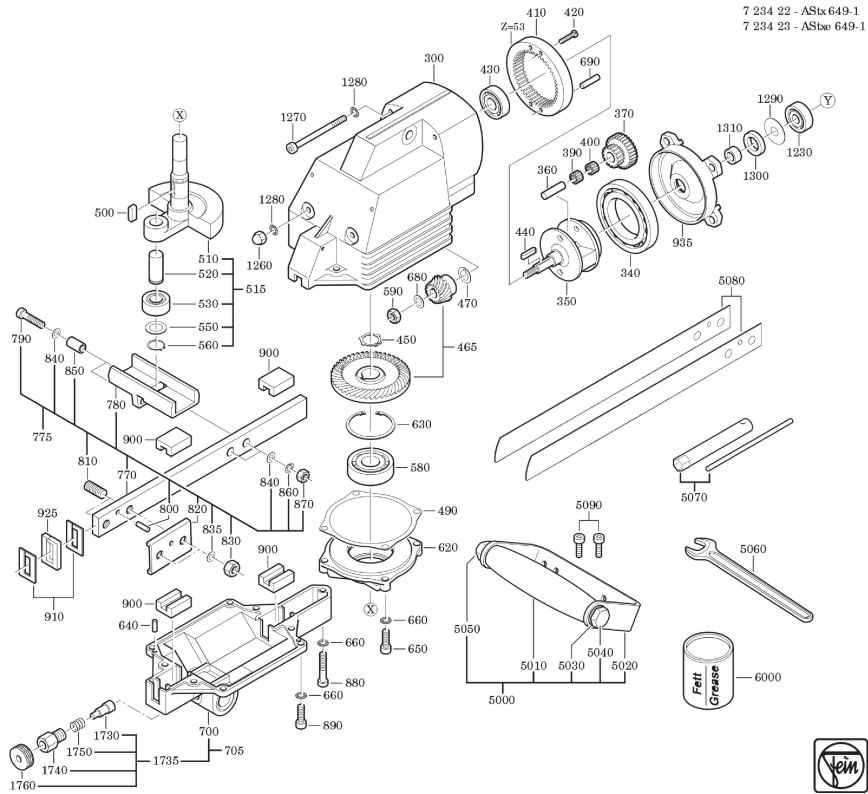
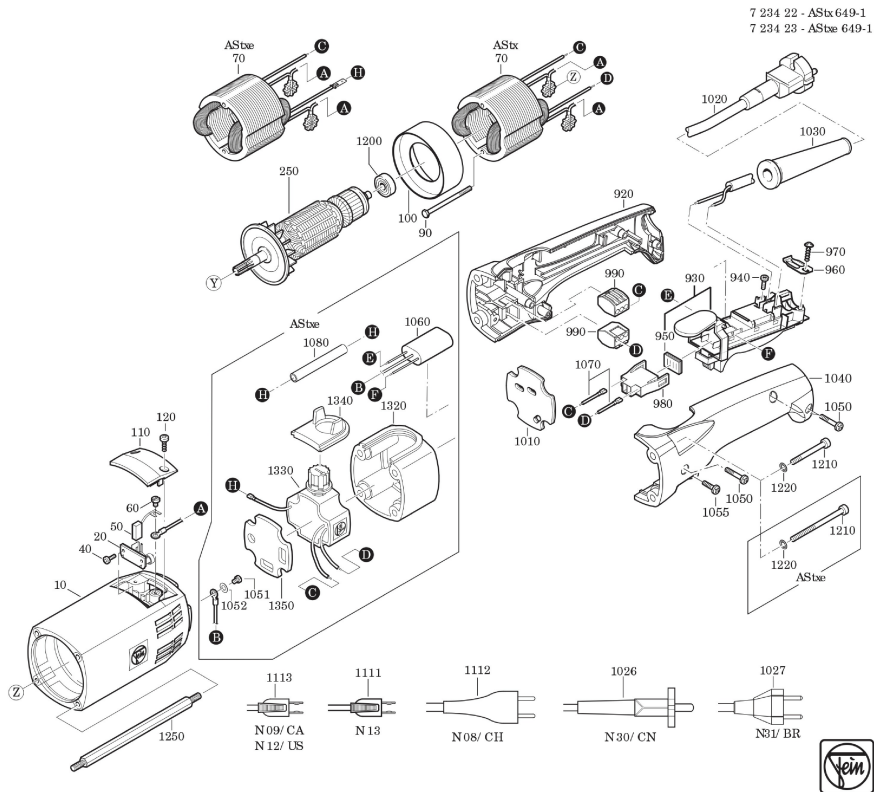


**Type:** ASStx 649-1 (60Hz, 110V)  
**Part no.:** 72342313110



7 234 22 - ASStx 649-1  
 7 234 23 - ASStx 649-1

**Type:** ASStx 649-1 (60Hz, 110V)  
**Part no.:** 72342313110



7 234 22 - ASStx 649-1  
 7 234 23 - ASStx 649-1

- N09/ CA  
 N12/ US
- N 11
- N08/ CH
- N30/ CN
- N31/ BR

