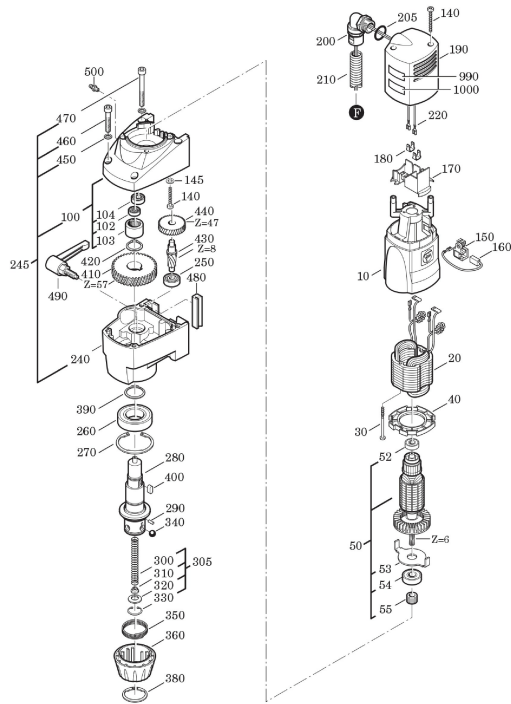


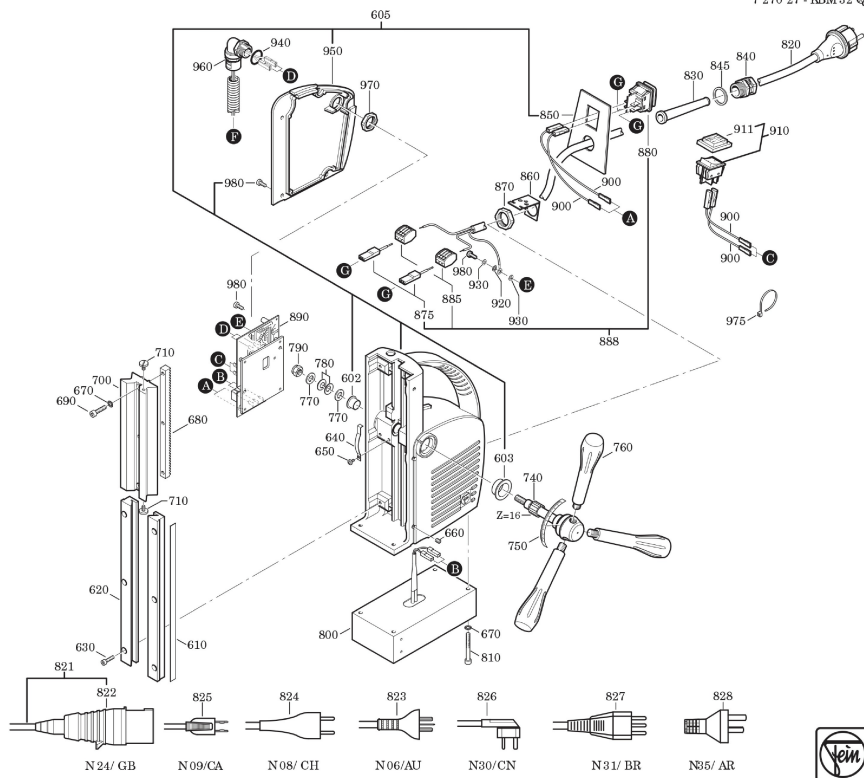
**Type:** KBM 32 Q (50Hz, 110V)  
**Part no.:** 72702700119

7 270 27 - KBM 32 Q



**Type:** KBM 32 Q (50Hz, 110V)  
**Part no.:** 72702700119

7 270 27 - KBM 32 Q



**Type:**  
**Part no.:**

KBM 32 Q (50Hz, 110V)  
72702700119

7 270 27 - KBM32 Q

