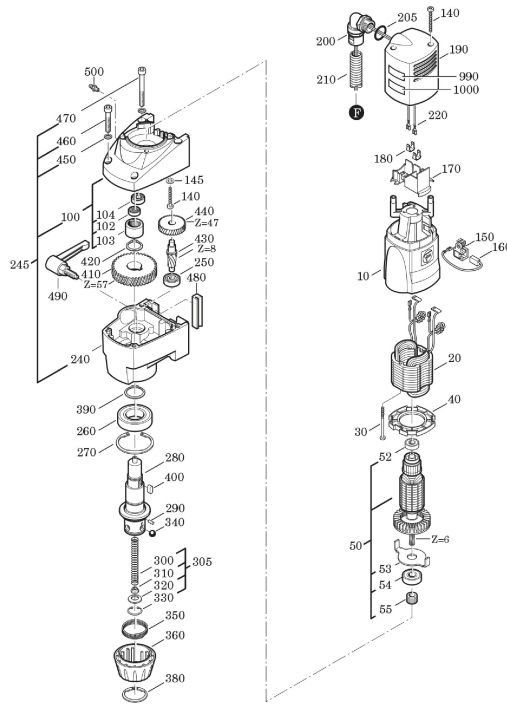


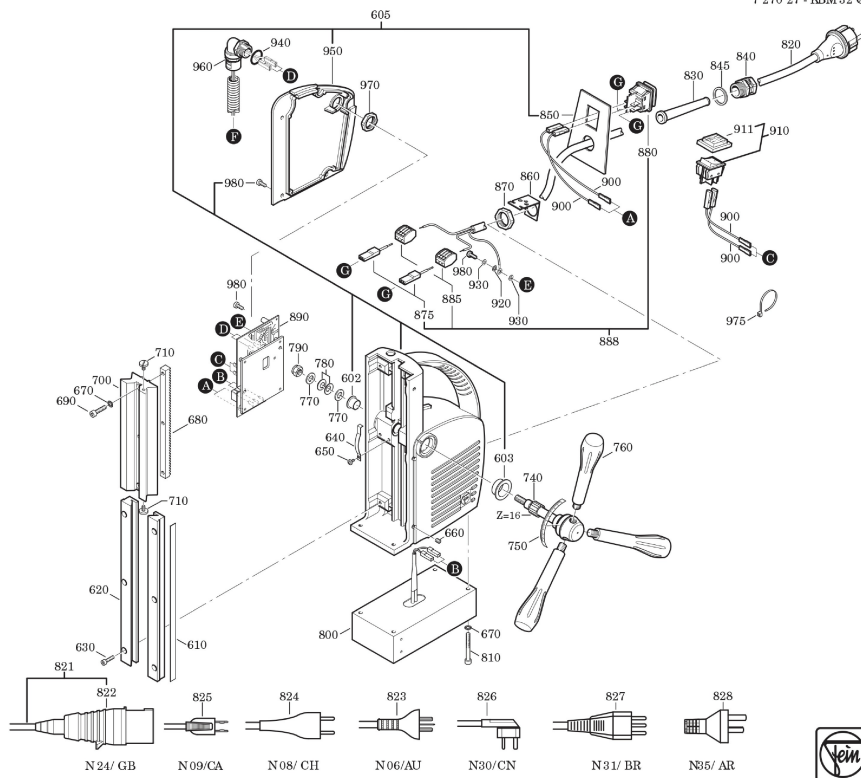
Type: KBM 32 Q (60Hz, 120V)
Part no.: 72702709368

7 270 27 - KBM 32 Q



Type: KBM 32 Q (60Hz, 120V)
Part no.: 72702709368

7 270 27 - KBM 32 Q



Type:
Part no.:

KBM 32 Q (60Hz, 120V)
72702709368

7 270 27 - KBM32 Q

