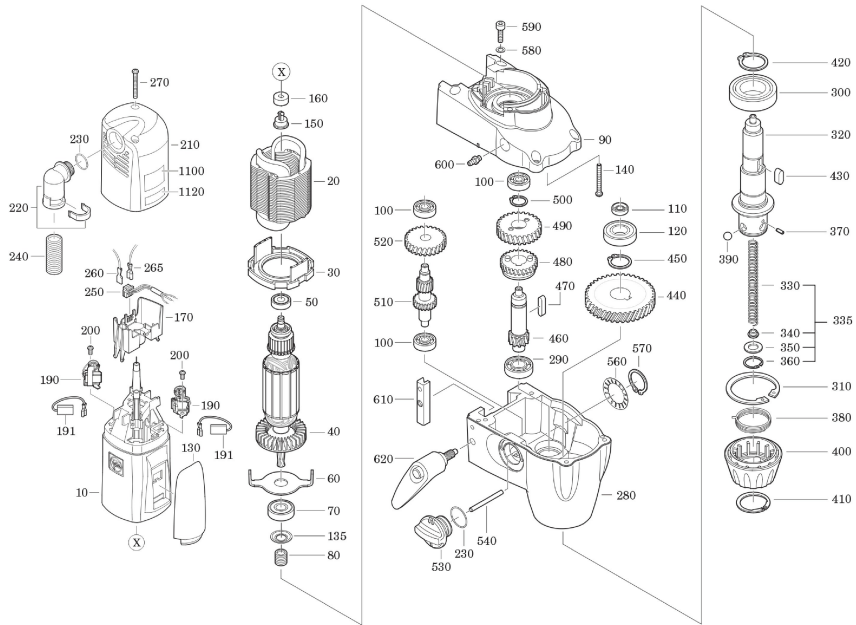


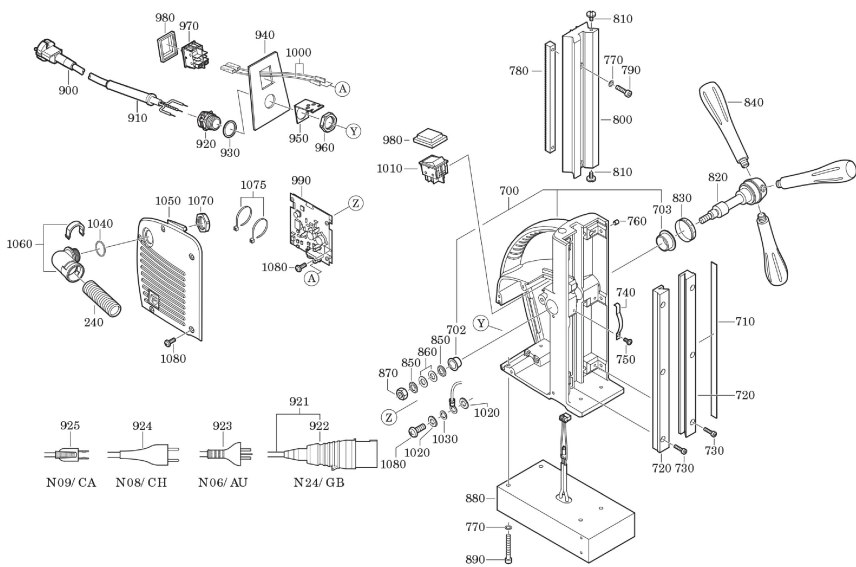
Type: KBM 50 Q (60Hz, 220V)  
 Part no.: 72703027625

7 270 30 - KBM 50Q



Type: KBM 50 Q (60Hz, 220V)  
 Part no.: 72703027625

7 270 30 - KBM 50Q



**Type:**  
**Part no.:**

KBM 50 Q (60Hz, 220V)  
72703027625

7 270 30 - KBM 50Q

