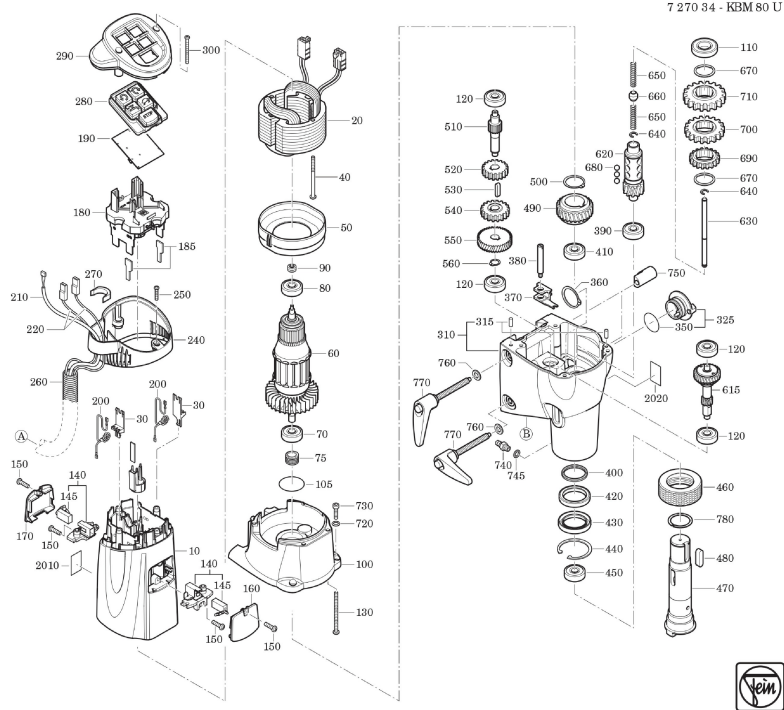


Type:  
Part no.:

KBM 80 U (50/60Hz, 110/120V)  
72703424110



Type:  
Part no.:

KBM 80 U (50/60Hz, 110/120V)  
72703424110

