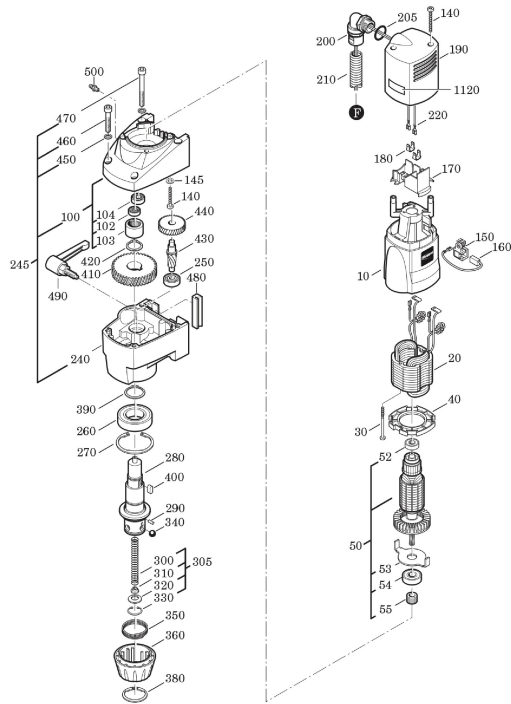


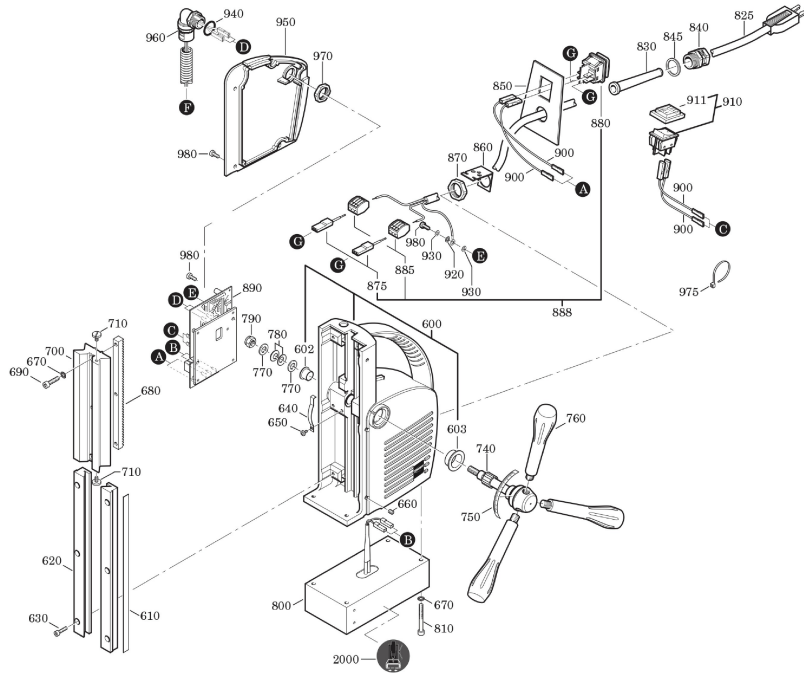
Type: JCM 125 Q (60Hz, 120V)  
Part no.: 72703512360

7 270 35 - JCM 125 Q



Type: JCM 125 Q (60Hz, 120V)  
Part no.: 72703512360

7 270 35 - JCM 125 Q



**Type:**  
**Part no.:**

JCM 125 Q (60Hz, 120V)  
72703512360

7 270 35 - JCM 125 Q

