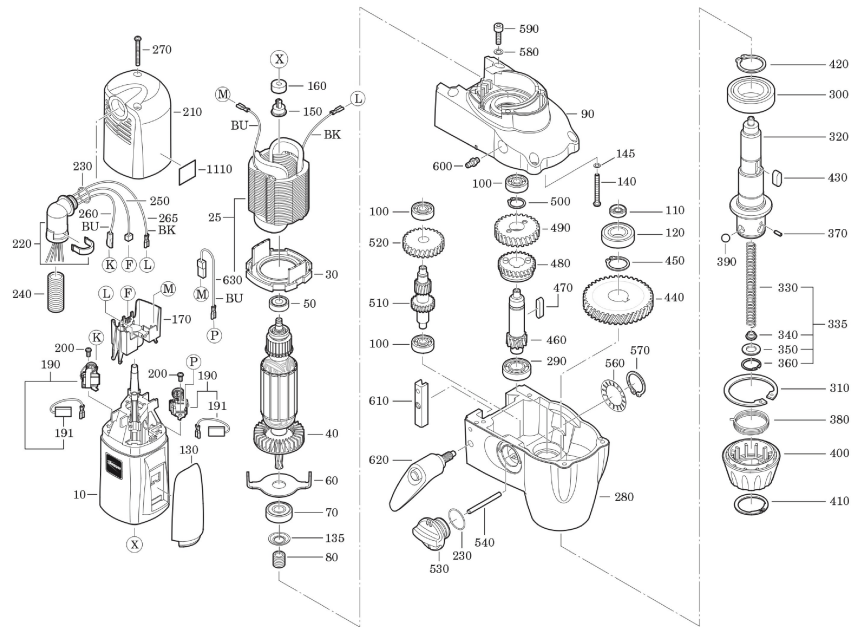


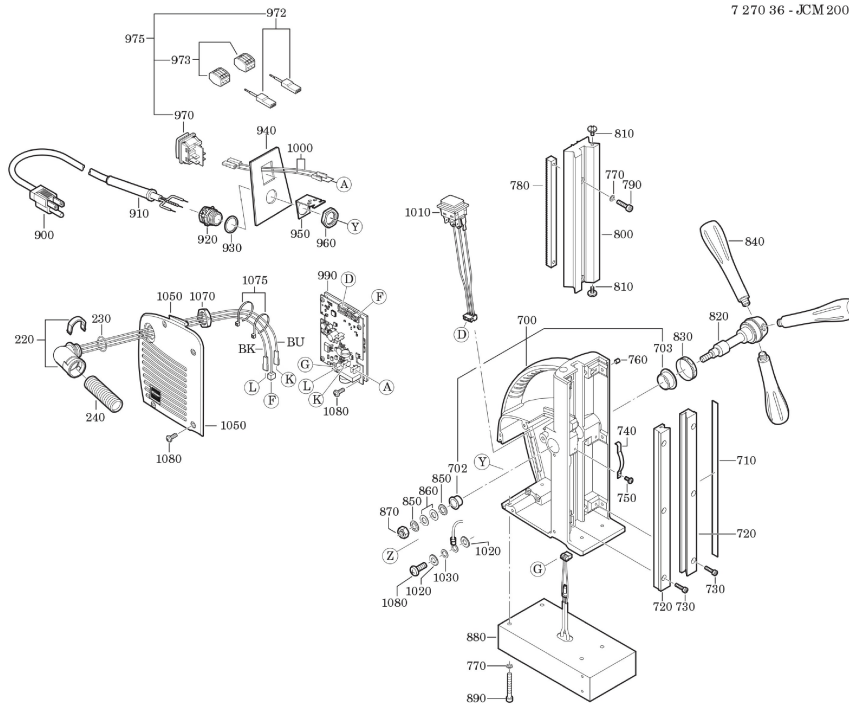
Type: JCM 200 Q (60Hz, 120V)
Part no.: 72703612360

7 270 36 - JCM 200 Q



Type: JCM 200 Q (60Hz, 120V)
Part no.: 72703612360

7 270 36 - JCM 200 Q



Type:
Part no.:

JCM 200 Q (60Hz, 120V)
72703612360

7 270 36 - JCM 200 Q

