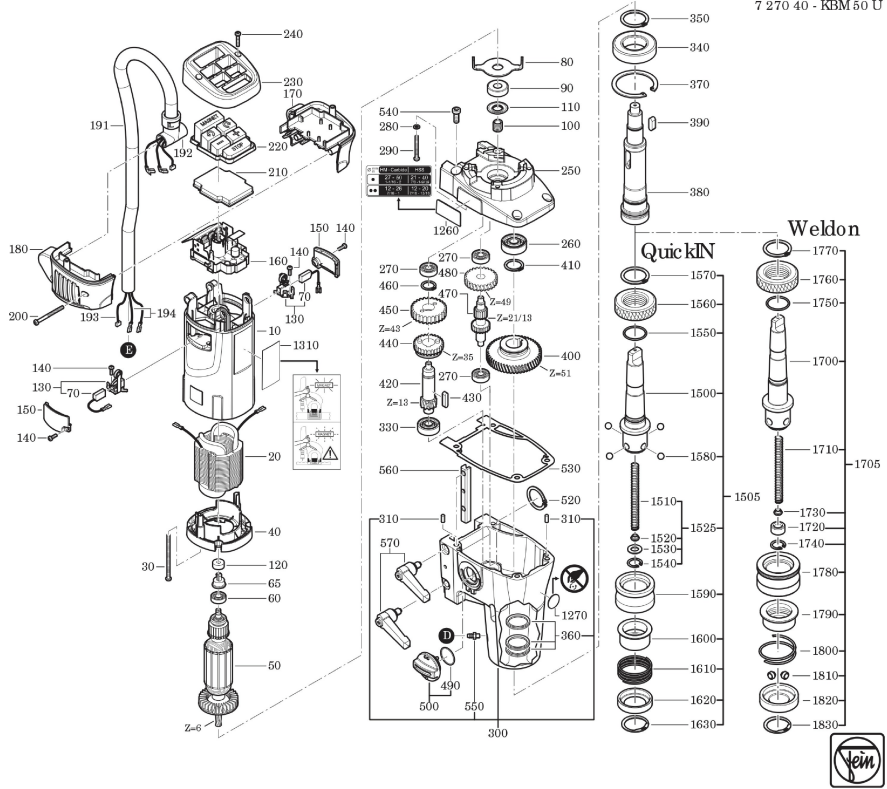


Type:  
Part no.:

KBM 50 U (50Hz, 110V)  
72704024110

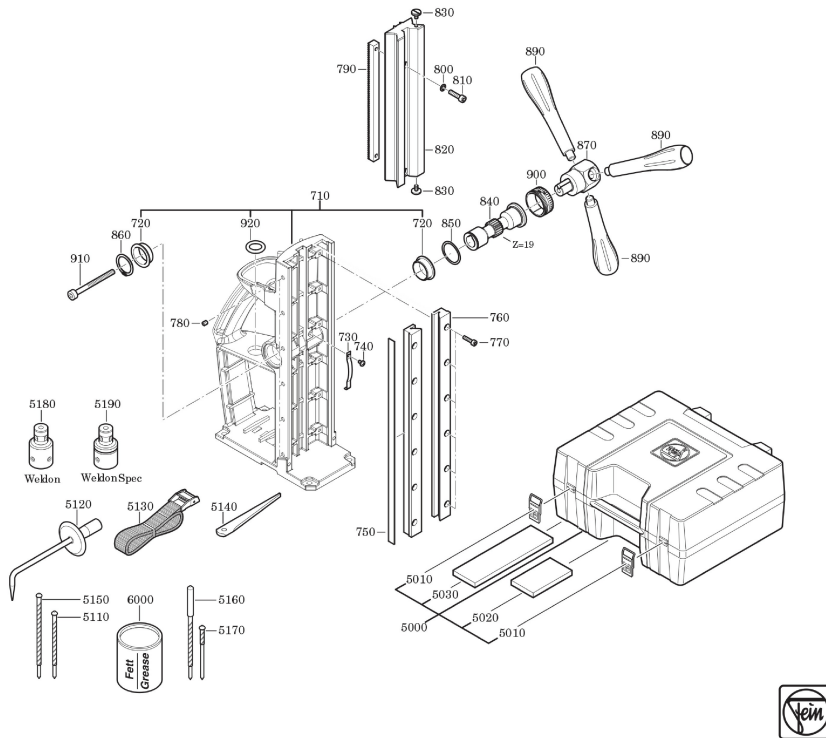
7 270 40 - KBM 50 U



Type:  
Part no.:

KBM 50 U (50Hz, 110V)  
72704024110

7 270 40 - KBM 50 U



Type:  
Part no.:

KBM 50 U (50Hz, 110V)  
72704024110

7 270 40 - KBM 50 U

