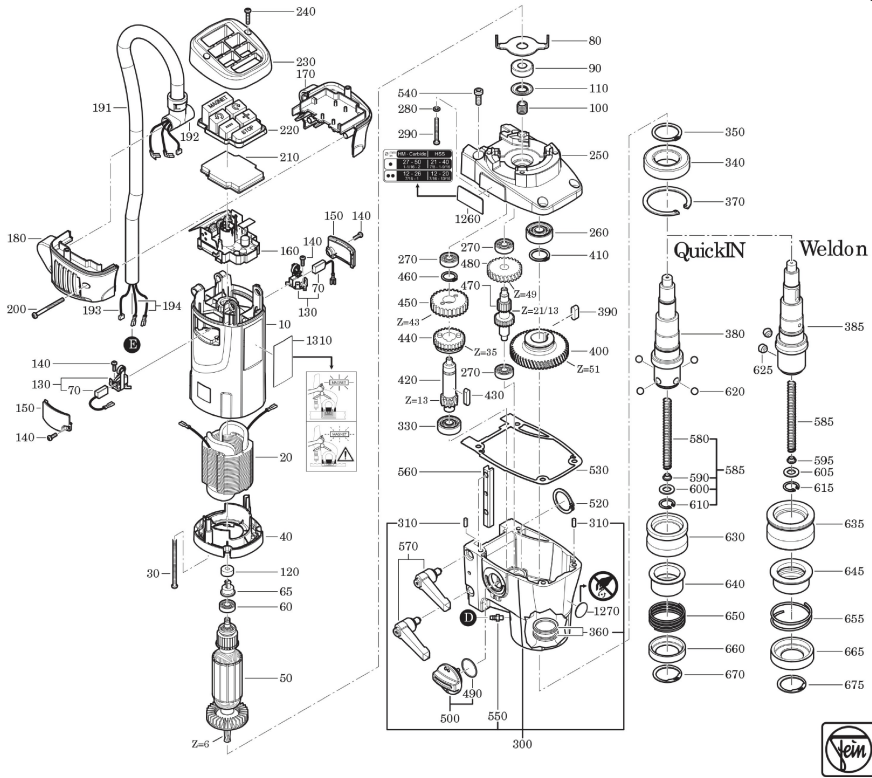


Type:
Part no.:

KBM 50 Q (50Hz, 110V)
72704124110

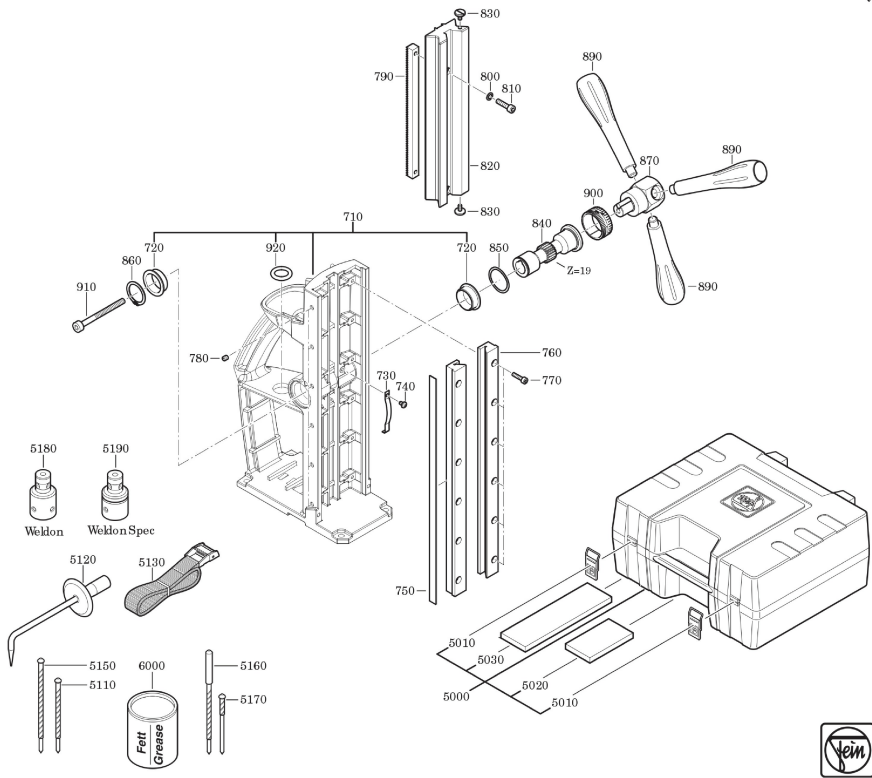
7 270 41 - KBM50Q



Type:
Part no.:

KBM 50 Q (50Hz, 110V)
72704124110

7 270 41 - KBM 50Q



Type:
Part no.:

KBM 50 Q (50Hz, 110V)
72704124110

7 270 41 - KBM 50Q

