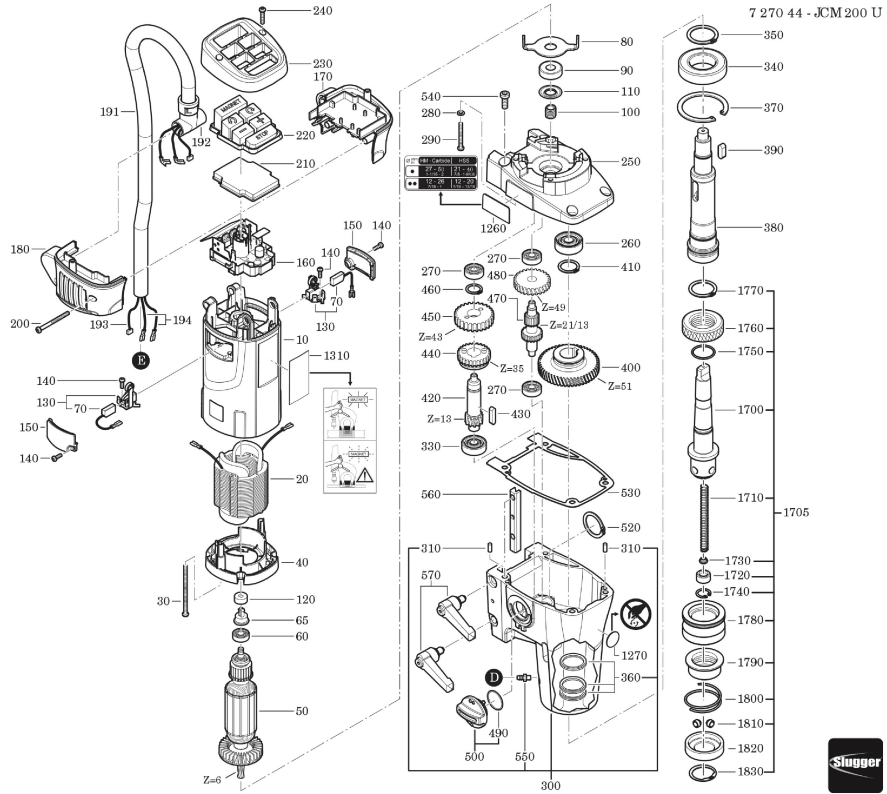


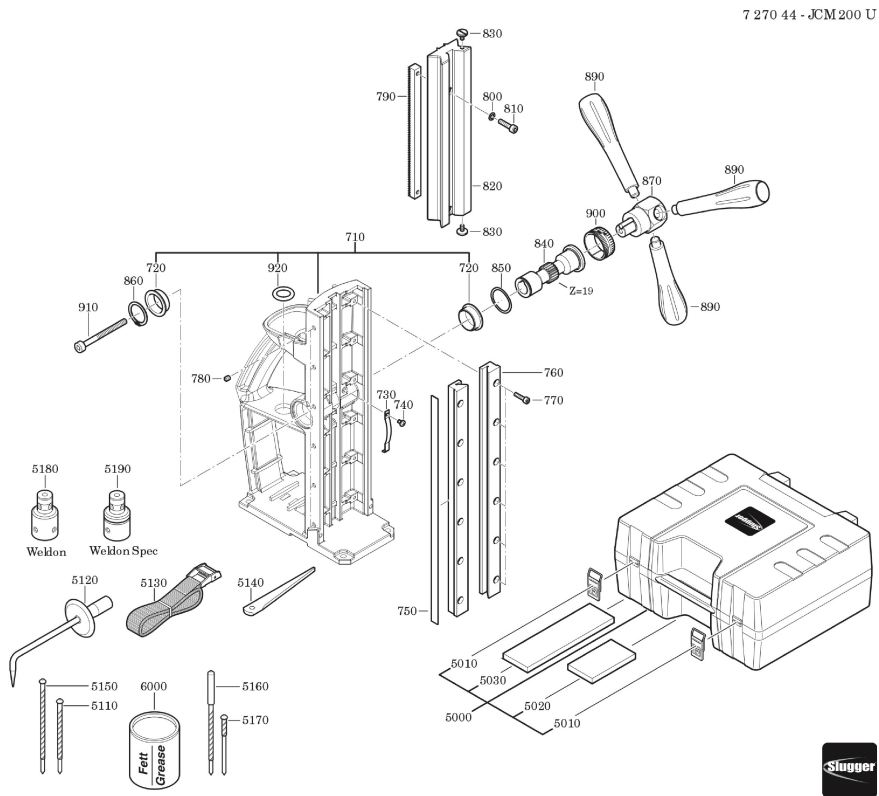
Type:  
Part no.:

JCM 200 U (60Hz, 120V)  
72704412360



Type:  
Part no.:

JCM 200 U (60Hz, 120V)  
72704412360



Type:  
Part no.:

JCM 200 U (60Hz, 120V)  
72704412360

7 270 44 - JCM200 U

