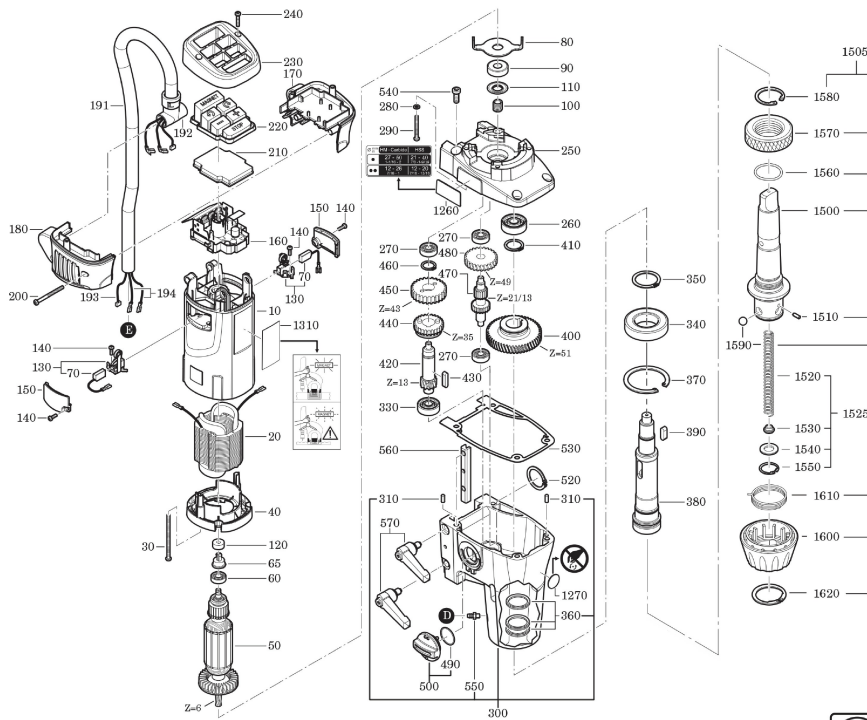


Type:
Part no.:

KBM 50 UT (50Hz, 220V)
72704830220

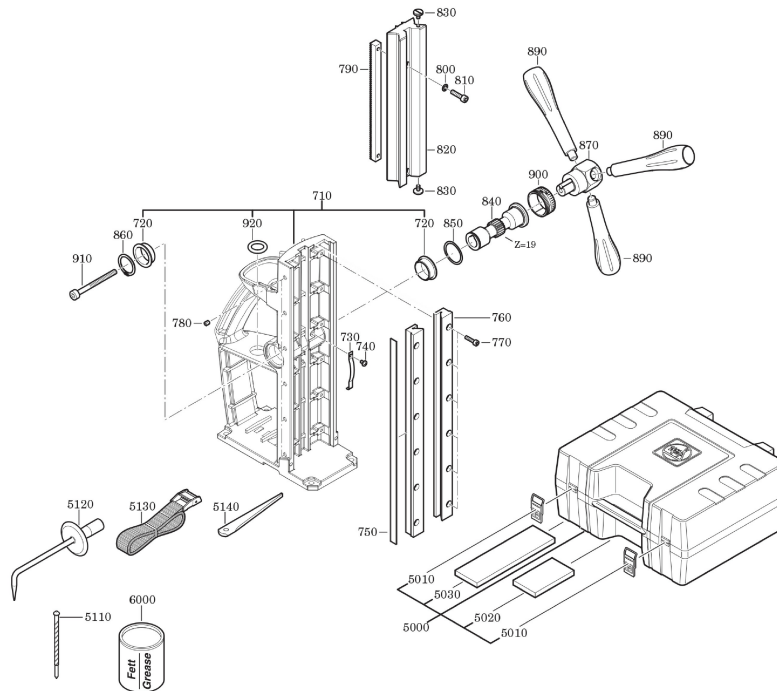
7 270 48 - KBM 50 UT2



Type:
Part no.:

KBM 50 UT (50Hz, 220V)
72704830220

7 270 48 - KBM 50 UT2



Type:
Part no.:

KBM 50 UT (50Hz, 220V)
72704830220

7 270 48 - KBM 50 UT2

