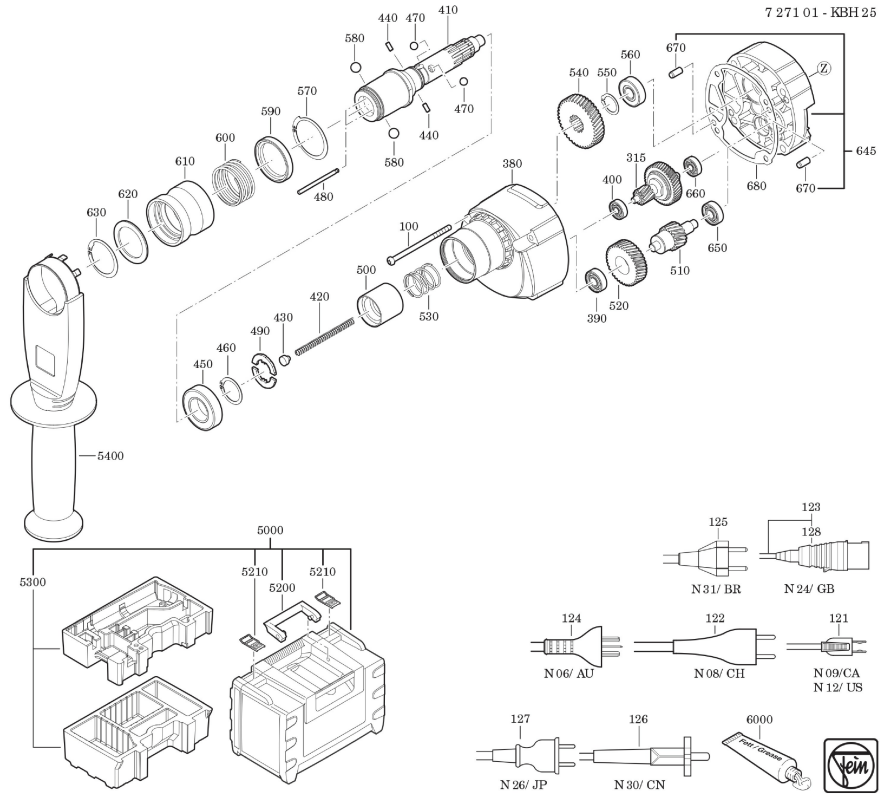


Type: KBH 25 (50/60Hz, 110/120V)
Part no.: 72710124110



Type: KBH 25 (50/60Hz, 110/120V)
Part no.: 72710124110

