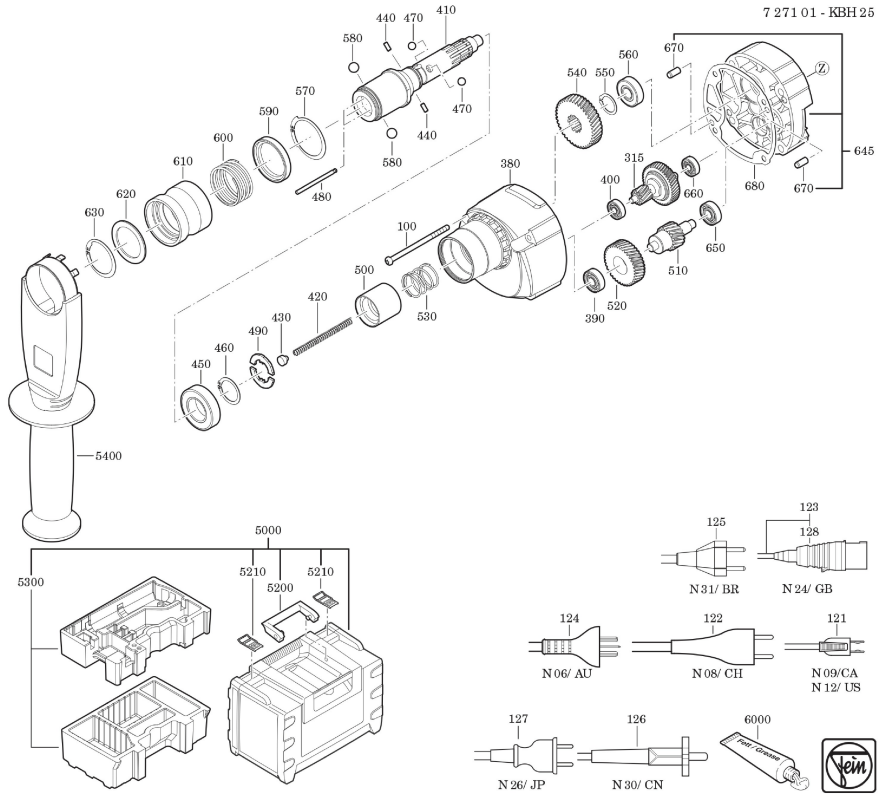


**Type:** KBH 25 (50/60Hz, 100V)  
**Part no.:** 72710126100



**Type:** KBH 25 (50/60Hz, 100V)  
**Part no.:** 72710126100

