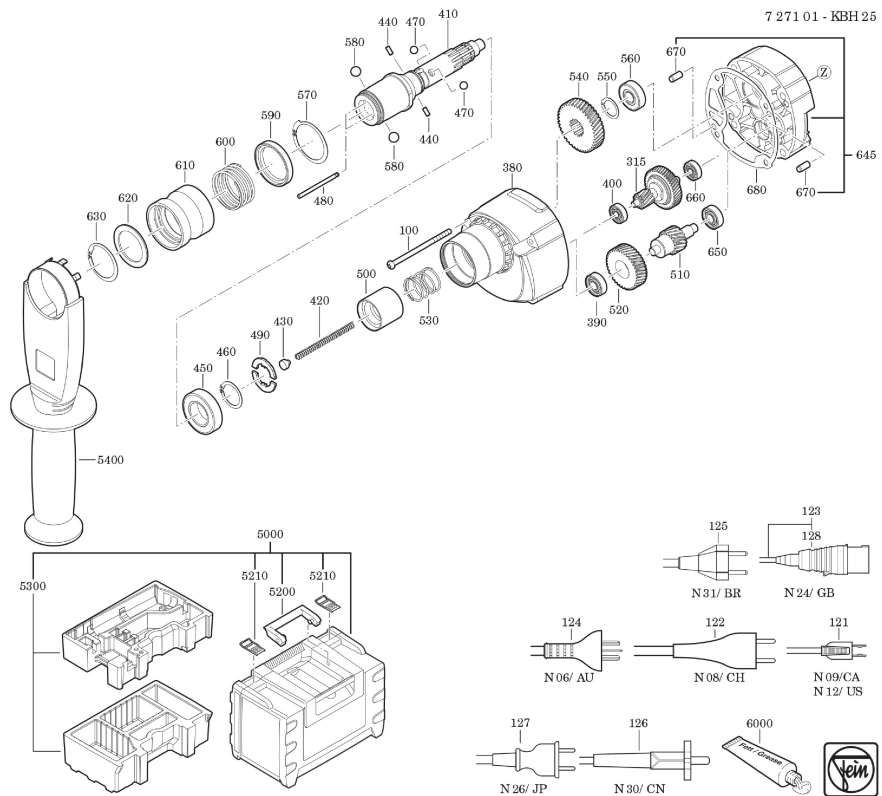


**Type:** KBH 25 (60Hz, 220V)  
**Part no.:** 72710127620



**Type:** KBH 25 (60Hz, 220V)  
**Part no.:** 72710127620

