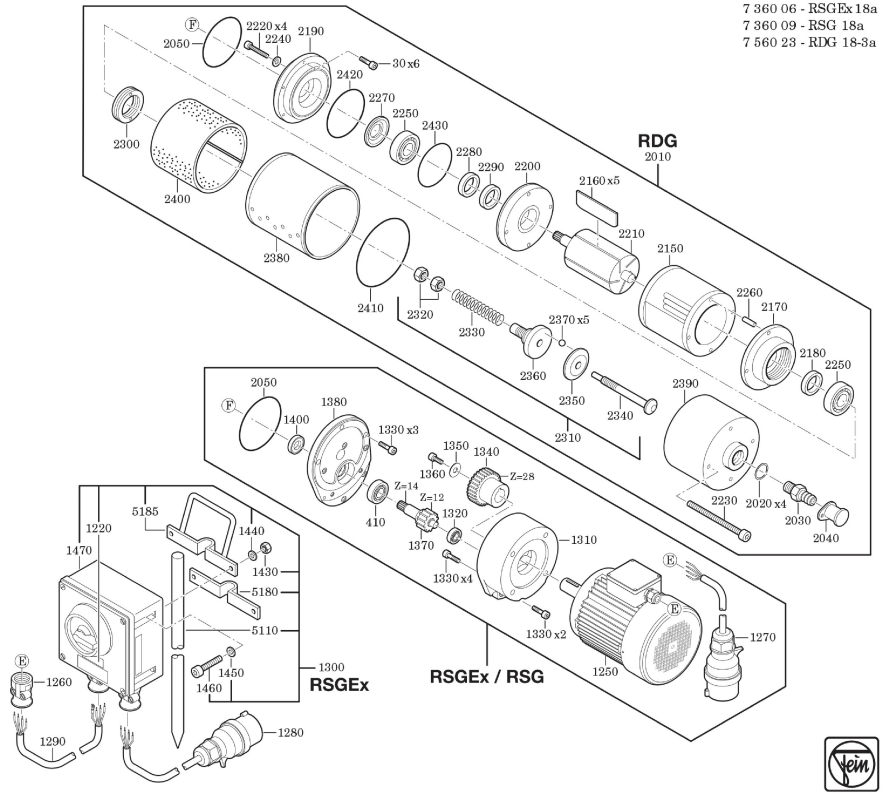


Type: {RSG, Ex18a} (50Hz, 400V)
Part no.: 73600661340



Type: {RSG, Ex18a} (50Hz, 400V)
Part no.: 73600661340

