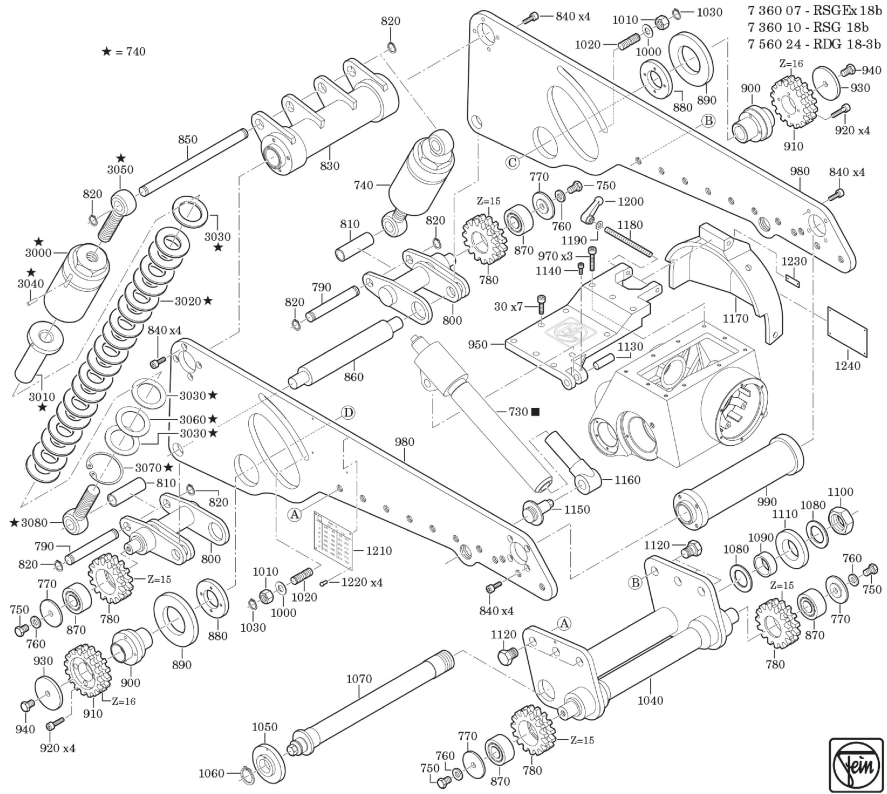


Type: {RSG, EX18b} (50Hz, 400V)
Part no.: 73600761340



Type: {RSG, EX18b} (50Hz, 400V)
Part no.: 73600761340

