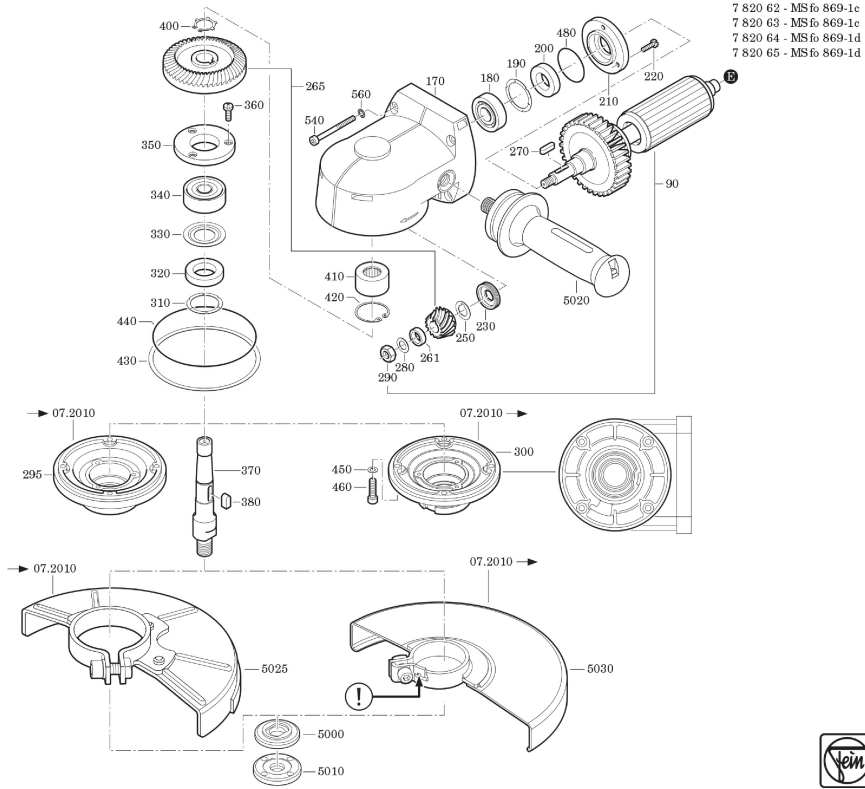


**Type:** MSfo 869-1c (200Hz, 135V)  
**Part no.:** 78206300170



**Type:** MSfo 869-1c (200Hz, 135V)  
**Part no.:** 78206300170

